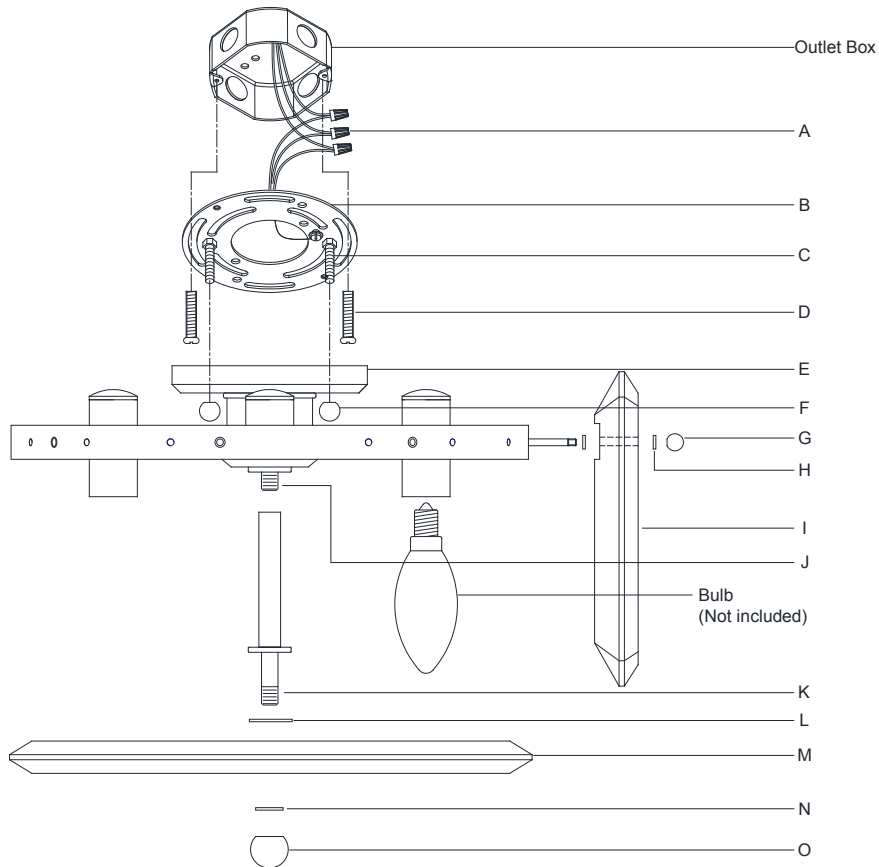


## ASSEMBLY INSTRUCTIONS



## Bonnington Medium Flush Mount

Item # ARN 4124

**WE RECOMMEND INSTALLATION OF THIS LIGHTING FIXTURE BE DONE BY A LICENSED ELECTRICIAN.**

**WARNING\*\*\*SWITCH OFF THE MAIN ELECTRICAL SUPPLY FROM THE MAIN FUSE BOX/CIRCUIT BREAKER BEFORE INSTALLATION.**

**INSPECT ITEM CAREFULLY BEFORE ATTEMPTING TO INSTALL. IF THERE IS ANY DAMAGE OR OBVIOUS DEFECT. DO NOT INSTALL.**

**ITEM MAY NOT BE RETURNED ONCE IT HAS BEEN INSTALLED.**

**NOTE: CAREFULLY UNPACK EACH PIECE IN TOP LAYER OF PACKING PRIOR TO REMOVING. RETAIN ALL PACKING MATERIAL UNTIL INSPECTION AND INSTALLATION ARE FINAL.**

1. Carefully remove all parts from the box.
2. Remove the mounting plate (B) from the fixture body (E) by loosening ball nuts (F).
3. Affix mounting plate (B) onto the outlet box and secure with mounting screws (D).
4. Attach the crystal drops (I) to the fixture body (E) and secure with plastic washer (H), ball nut (G).
5. Connect the hot wire (BLACK) from the fixture to the hot wire from the outlet box (usually BLACK). Fasten them together with a plastic wire connector (A) provided and wrap the connection with electrical tape.
6. Connect the neutral wire (WHITE) from the fixture to the wire from the outlet box (usually WHITE).  
  
DO NOT REVERSE THE HOT AND NEUTRAL CONNECTIONS OR SAFETY WILL BE COMPROMISED.
7. Connect ground wire from the fixture (bare copper) to ground wire from the outlet box (usually green or copper in color).  
  
IT IS IMPERATIVE THAT THIS FIXTURE BE GROUNDED.
8. Attach the fixture body (E) onto the mounting plate (B), let screws (C) pass through the holes on the fixture body (E), then secure with ball nuts (F).
9. Insert bulbs (not included) into the sockets.
10. Thread the tube (K) to the nipple (J), then attach the plastic washer (L), diffuser (M) to the tube (K) and secure with plastic washer (N) and finial (O).  
  
If you do not need the diffuser (M), you can thread the finial (O) to the nipple (J).
11. Installation is complete, turn on power at fuse or circuit breaker.

\*\*\*Clean with a dry, soft cloth only. Use no harsh abrasives or chemical agents.



VISUAL COMFORT & Co. Est. 1987