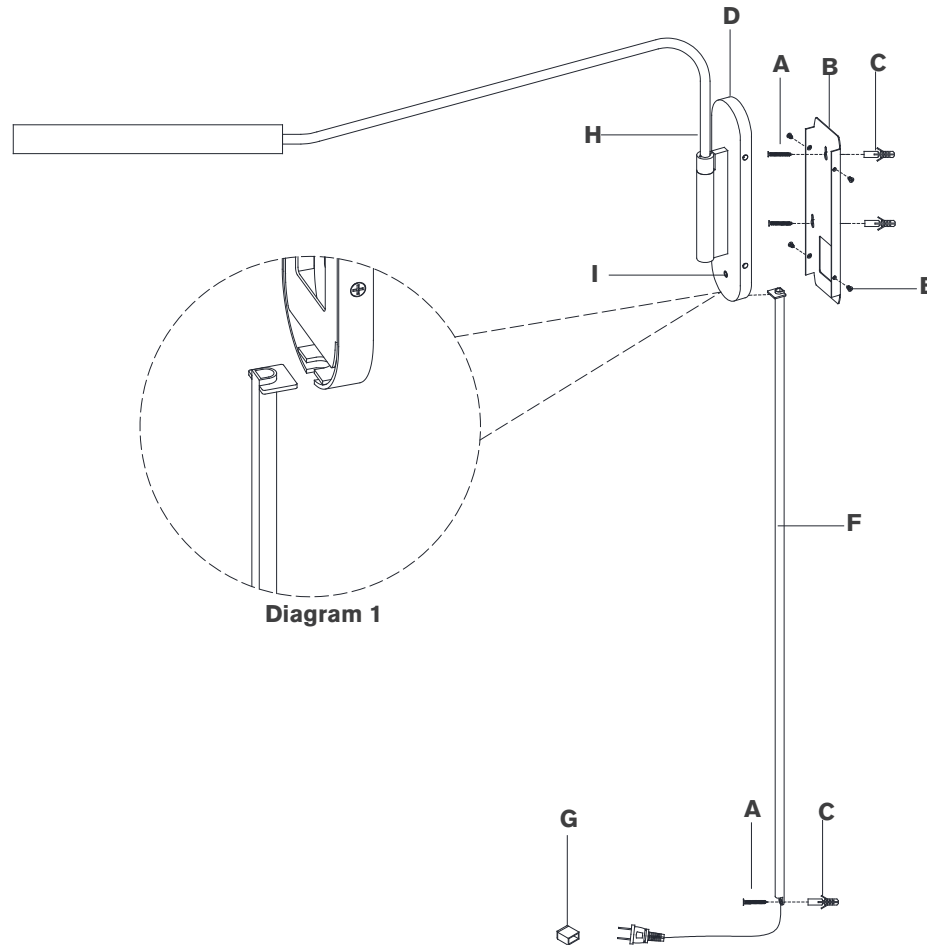


ASSEMBLY INSTRUCTIONS

Portable assembly



Austin Large Articulating Wall Light

Item # IKF 2351

NOTICE:

This light fixture should be installed in accordance with all applicable, local installation codes, and by a person familiar with the construction and operation of it, as well as the hazards involved. Inspect item and contents carefully. If any damage or defect is found, do not install. Retain all packaging material until installation is complete and approved.

TOOLS REQUIRED (NOT INCLUDED):

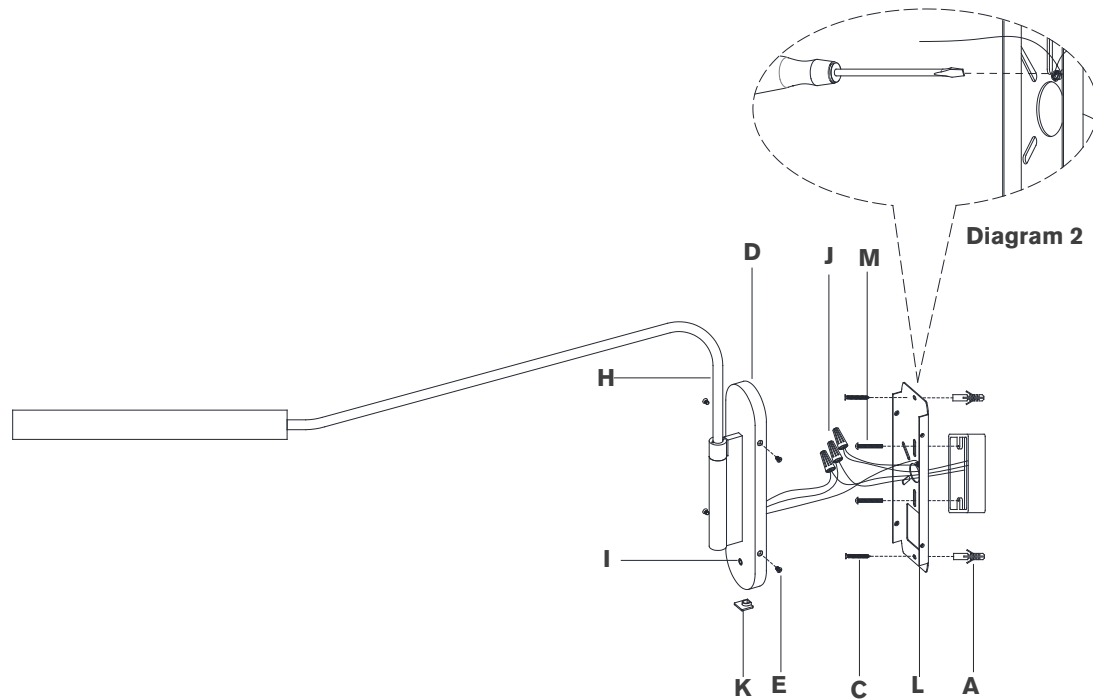
Phillips Screwdriver	Slotted Screwdriver	Drill
Hammer	Pencil	Scissors

1. Carefully remove all parts from the box. Place on a clean, soft surface.
2. Remove portable mounting plate (B) from fixture (D) by removing screws (E).
3. Hang cord cover (F) to the bottom of fixture (D) by sliding in from back side. See diagram 1.
4. Using portable mounting plate (B) and cord cover (F) as a guide, mark anchor positions.
NOTE: Carefully measure distance between mounting points for mounting plate (B) and cord cover (F) before moving to the next step.
5. Using a drill bit slightly smaller than the anchor, drill holes in the marked positions. Install anchors (A) into holes using hammer.
6. Secure wood screws (C) to anchors (A), leaving 1/8" of exposed thread in order to hang fixture.
7. Install portable mounting plate (B) fixture (D) and secure with screws (E).
8. Hang fixture (D) and cord cover (F) to wood screws (C).
9. Remove protective plug cover (G) from plug.
10. Plug into a proper electrical outlet and test the fixture.
Dimmer switch operation: Touch dimmer (I) to adjust between low, medium, high and off settings.
11. Adjust shade to desired angle by rotating arm (H).

Care Instructions: Clean only with a soft dry cloth or feather duster. Do not use abrasive or chemical agents.

ASSEMBLY INSTRUCTIONS

Hardwire assembly



Austin Large Articulating Wall Light

Item # IKF 2351

NOTICE:

This light fixture should be installed in accordance with all applicable, local installation codes, and by a person familiar with the construction and operation of it, as well as the hazards involved. Inspect item and contents carefully. If any damage or defect is found, do not install. Retain all packaging material until installation is complete and approved.

TOOLS REQUIRED (NOT INCLUDED):

Phillips Screwdriver	Slotted Screwdriver	Drill
Hammer	Pencil	

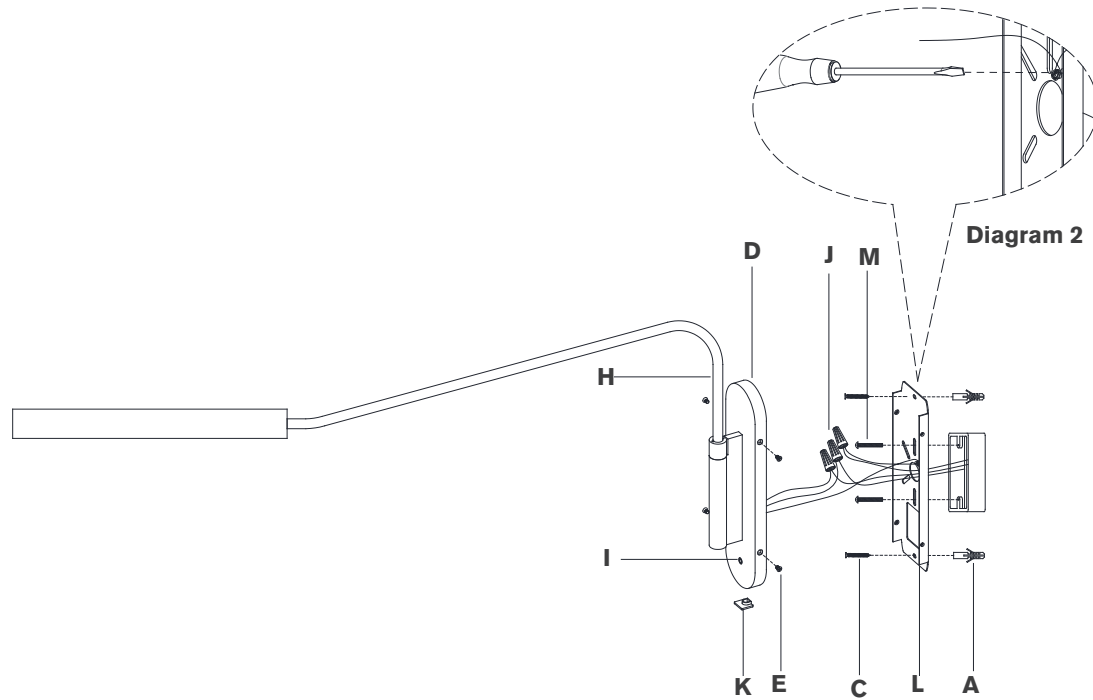
1. Carefully remove all parts from the box. Place on a clean, soft surface.
2. Remove portable mounting plate **(B)** from fixture **(D)** by removing screws **(E)**.
3. Locate hardwire mounting plate **(L)** inside packaging and use as a guide to mark anchor positions.
4. Using a drill bit slightly smaller than the anchor, drill holes in the marked positions. Install anchors **(A)** into holes using hammer.
5. Install hardwire mounting plate **(L)** to junction box and secure with mounting screws **(M)**, then secure wood screws **(C)** to anchors **(A)**.
6. Remove cord cover and portable cord by loosening wire nuts.
7. Insert direct wire plug **(K)** into the bottom of fixture **(D)**.
8. Wrap fixture ground wire (bare copper) around the green grounding screw (see diagram 2). Tighten. Continue fixture ground wire and connect to supply ground wire (usually green or bare copper) using wire nut **(J)**.
9. Connect fixture neutral wire (white) to the supply neutral wire (usually white) using wire nut **(J)**.
10. Connect fixture hot wire (black) to the supply hot wire (usually black) using wire nut **(J)**.

NOTE: It is imperative that the fixture is grounded.

CAUTION: Do not reverse the hot and neutral connections.

ASSEMBLY INSTRUCTIONS

Hardwire assembly



Austin Large Articulating Wall Light

Item # IKF 2351

NOTICE:

This light fixture should be installed in accordance with all applicable, local installation codes, and by a person familiar with the construction and operation of it, as well as the hazards involved. Inspect item and contents carefully. If any damage or defect is found, do not install. Retain all packaging material until installation is complete and approved.

11. Make sure all wire connections are tight, then carefully tuck into the junction box.
12. Install fixture **(D)** to hardwire mounting plate **(L)** and secure with screws **(E)**.
13. Adjust shade to desired angle by rotating arm **(H)**.

Dimmer switch operation: Touch dimmer **(I)** to adjust between low, medium, high and off settings.

Care Instructions: Clean only with a soft dry cloth or feather duster. Do not use abrasive or chemical agents.