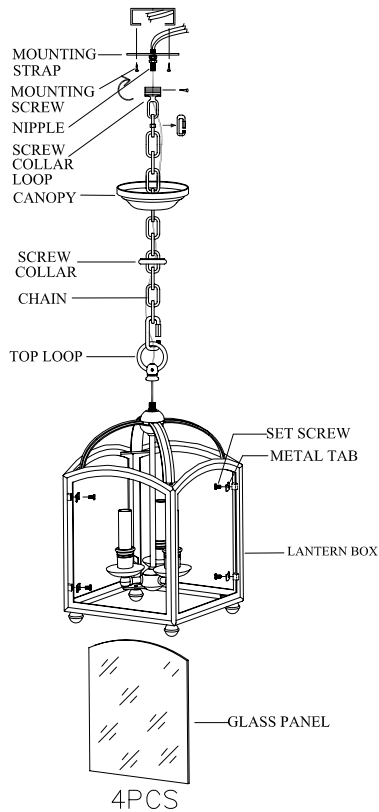
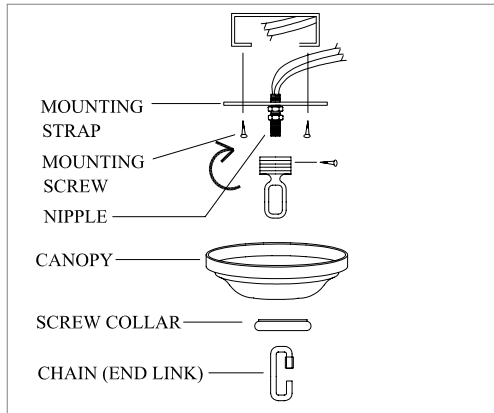


CHC3420

ASSEMBLY & INSTALLATION GUIDE



WE RECOMMEND INSTALLATION OF THIS LIGHTING FIXTURE BE DONE BY A LICENSED ELECTRICIAN.

WARNING * SWITCH OFF THE MAIN ELECTRICAL SUPPLY FROM THE MAIN FUSE BOX/CIRCUIT BREAKER BEFORE INSTALLATION.**

INSPECT ITEM CAREFULLY BEFORE ATTEMPTING TO INSTALL. IF THERE IS ANY DAMAGE OR OBVIOUS DEFECT, DO NOT INSTALL.

ITEM MAY NOT BE RETURNED ONCE IT HAS BEEN INSTALLED.

1. To install glass panel to each frame of lantern box, removing all metal tabs by unscrewing set screws and set aside. Insert a glass panel into one frame and insert second glass panel into the next frame, replace the metal tabs and followed with set screws to secure glass panels to the frame.
2. Insert the third glass panel into next frame and secure with metal tabs and set screws.
Repeat the procedure for the rest glass panel.
3. Screw top loop onto top threaded rod of lantern box, and tighten set screw at side of top loop until tight.
4. Attach chain to top loop by opening/closing end link of chain.
5. Thread nipple into screw collar loop and thread one of hex nut onto nipple until snug.
6. Place lock washer over end of nipple protruding through mounting strap and thread another hex nut onto nipple until tight. Take this mounting assembly and mount to ceiling junction box with mounting screws. Tighten screws securely with screwdriver. The side of the mounting strap marked "GND" must face out.
7. Use a pair of pliers to open one end link of the chain provided and connect to the top loop. Close the link.
8. By measuring, determine correct number of links needed for proper hanging height. Using pliers, disconnect and discard remaining chain.
9. Lace the fixture wires through the chain. Slip screw collar over the chain, then do the same with the canopy.
10. Open the other end link of the chain and hang the fixture on the screw collar loop. Close the link.
11. Feed the fixture wires through the screw collar loop and nipple and pull until taut.
12. At this point, connect the electrical wires making sure all wire nuts are secured. You May have to wrap the connections with electrical tape. If your outlet has a ground wire (green or bare copper) connect fixture's ground wire to it. Otherwise connect fixture's ground wire directly to the junction box.
13. Tuck these wire connections neatly into the ceiling junction box.
14. Raise the screw collar and thread onto screw collar loop protruding through canopy.
15. Insert light bulbs into sockets.
16. Your installation is now complete.
17. Return power to the junction box and test the fixture.