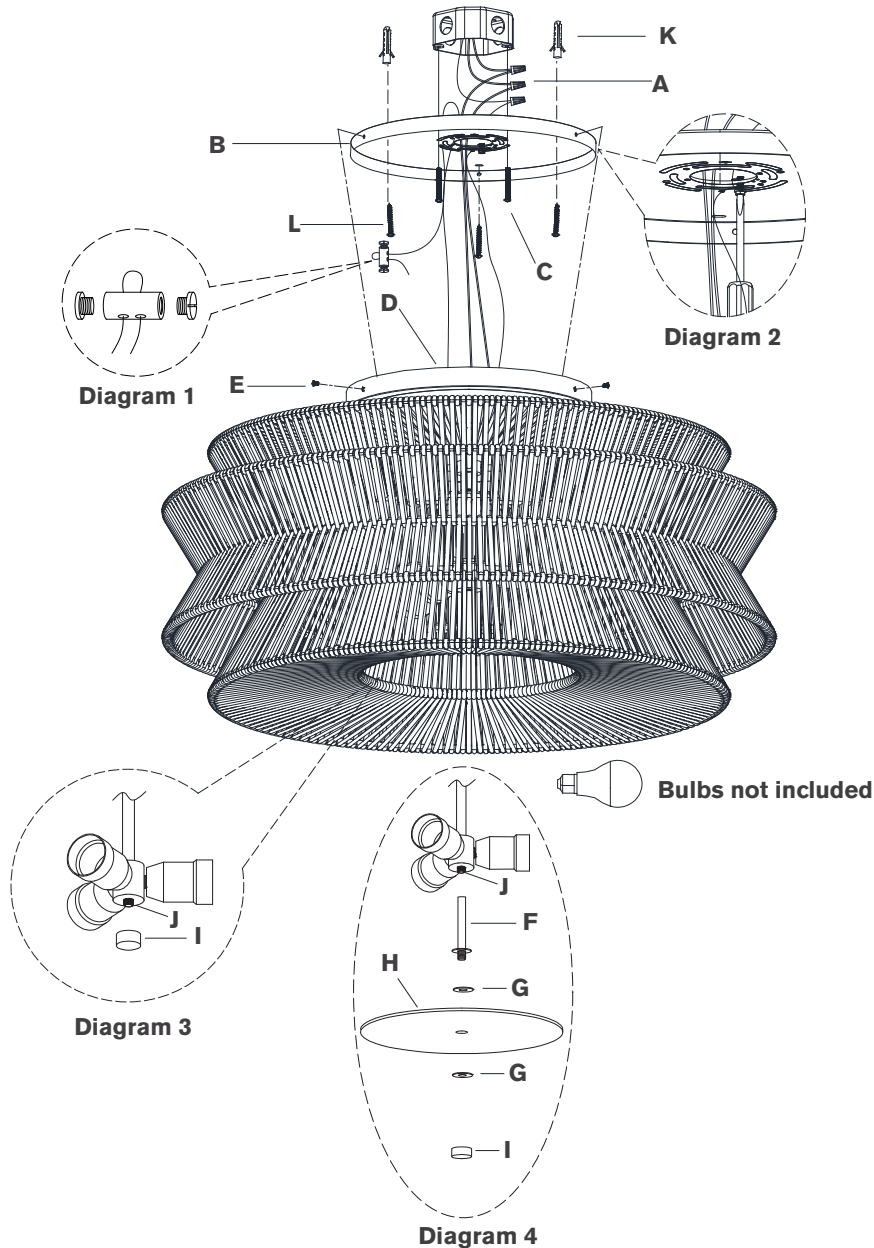


ASSEMBLY INSTRUCTIONS



Antigua Grande Semi-Flush Mount

Item # CHC 4017

NOTICE:

This light fixture should be installed in accordance with all applicable, local installation codes, and by a person familiar with the construction and operation of it, as well as the hazards involved. Inspect item and contents carefully. If any damage or defect is found, do not install. Retain all packaging material until installation is complete and approved.

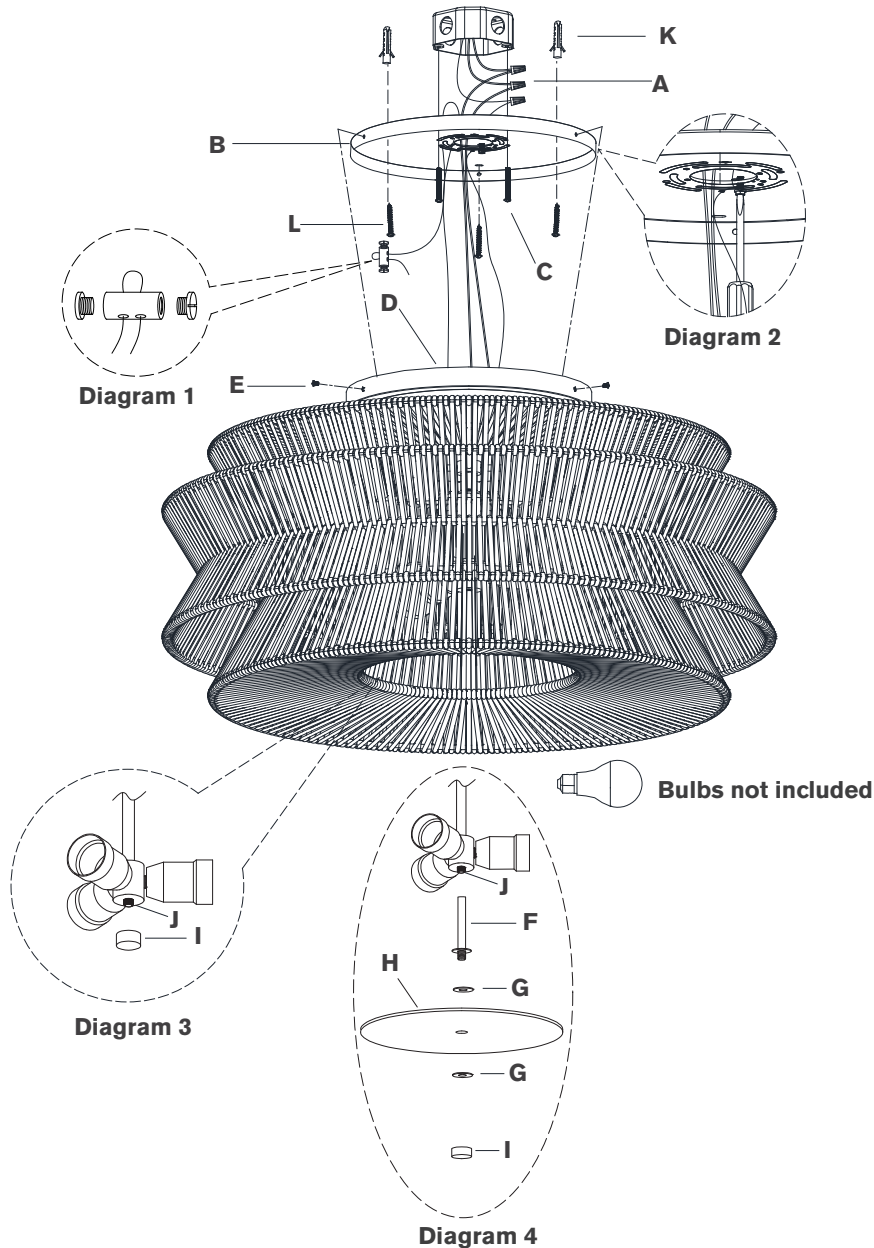
TOOLS REQUIRED (NOT INCLUDED):

Phillips Screwdriver	Slotted Screwdriver	Drill
Hammer	Pencil	

- Carefully remove all parts from the box. Place on a clean, soft surface.
- Remove mounting plate (B) from fixture (D) by removing screws (E).
- Using mounting plate (B) as a guide, line up with the junction box and mark anchor positions.
- Using a drill bit slightly smaller than the anchor, drill holes in the marked positions. Install anchors (K) into holes using hammer.
- Install mounting plate (B) to junction box and secure with mounting screws (C), then secure wood screws (L) to anchors (K).
- Run support cable through hole on back of mounting plate (B). Loosen cable lock and install to end of support cable. Insert cable through the other side of cable lock and tighten ends with a screwdriver to secure. (see diagram 1)
- Wrap fixture ground wire (bare copper) around the green grounding screw (see diagram 2). Tighten. Continue fixture ground wire and connect to supply ground wire. (usually green or bare copper) using wire nut (A).
- Connect fixture neutral wire (white) to the supply neutral wire (usually white) using wire nut (A).
- Connect fixture hot wire (black) to the supply hot wire (usually black) using wire nut (A).

CAUTION: Do not reverse the hot and neutral connections.

ASSEMBLY INSTRUCTIONS



Antigua Grande Semi-Flush Mount

Item # CHC 4017

NOTICE:

This light fixture should be installed in accordance with all applicable, local installation codes, and by a person familiar with the construction and operation of it, as well as the hazards involved. Inspect item and contents carefully. If any damage or defect is found, do not install. Retain all packaging material until installation is complete and approved.

10. Make sure all wire connections are tight, then carefully tuck into the junction box.
11. Install fixture (D) to mounting plate (B) and secure with screws (E).
12. Install light bulbs into the sockets.
13. Thread finial (I) to nipple (J). See diagram 3.

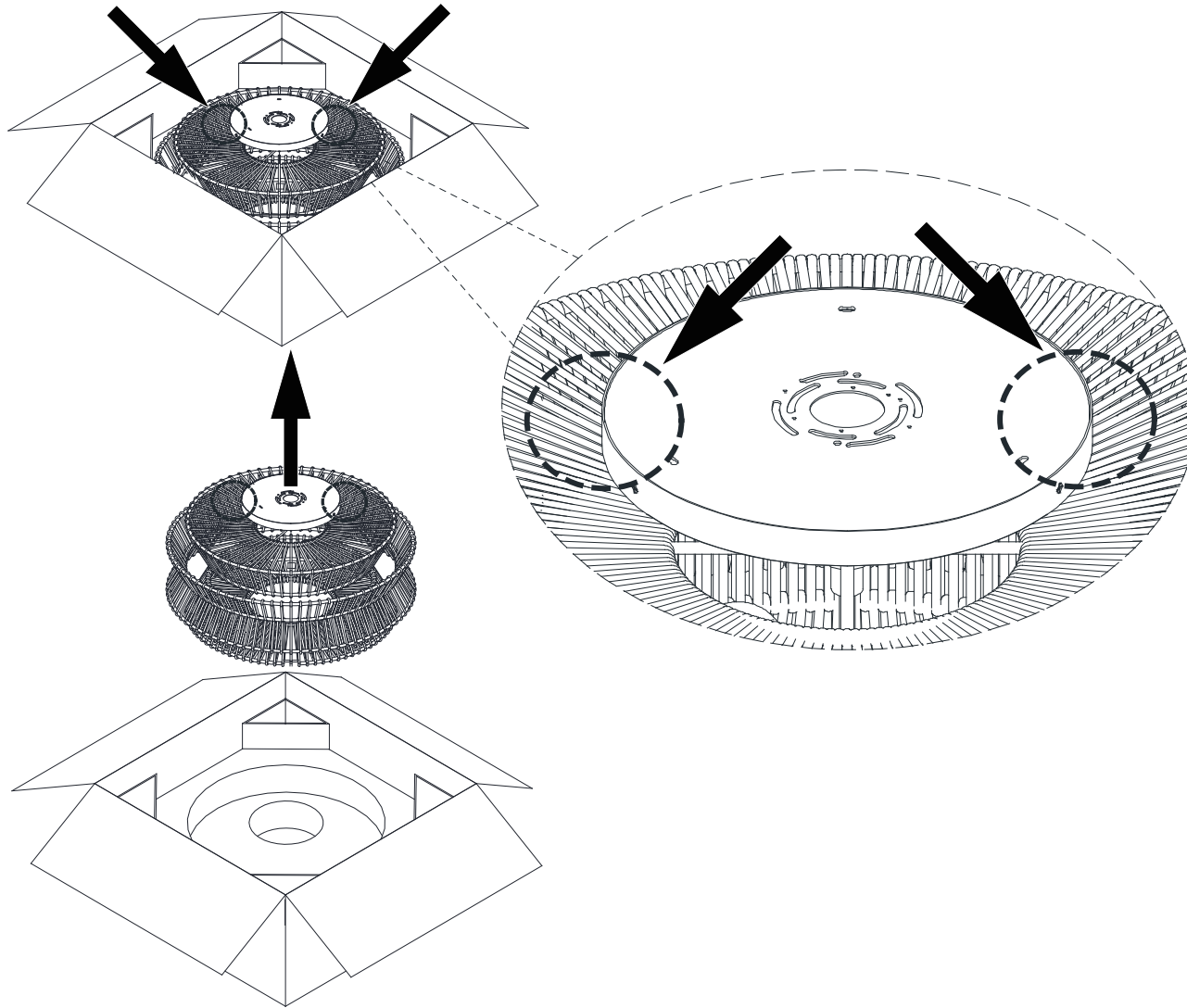
Diffuser Option:

14. Thread rod (F) to nipple (J).
15. Attach rubber washers (G) to either side of the diffuser (H) and secure to the rod (F) with finial (G). See diagram 4.

NOTE: Do not overtighten otherwise glass could become damaged.

Care Instructions: Clean only with a soft dry cloth or feather duster. Do Not use abrasive or chemical agents.

UNPACKING NOTICE



Antigua Grande Semi-Flush Mount

Item # CHC 4017

NOTICE:

Please follow instructions below to avoid possible damages caused by improper removal.

1. Open box and remove top layer of packaging.
2. Gently remove item by evenly lifting from canopy until clear of packaging. Place on clean, soft surface.

NOTE: Remove slowly to avoid damages.

VISUAL COMFORT

