

TEAR SHEET

Antigua XL Semi-Flush Mount

Item # CHC 4016AB/NAB

Designer: Chapman & Myers

Height: 12"

Width: 23.25"

Canopy: 9.25" Round

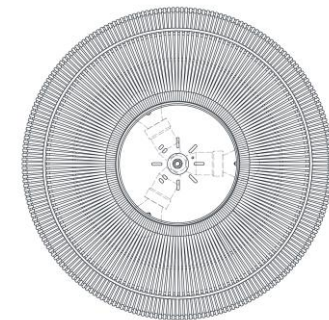
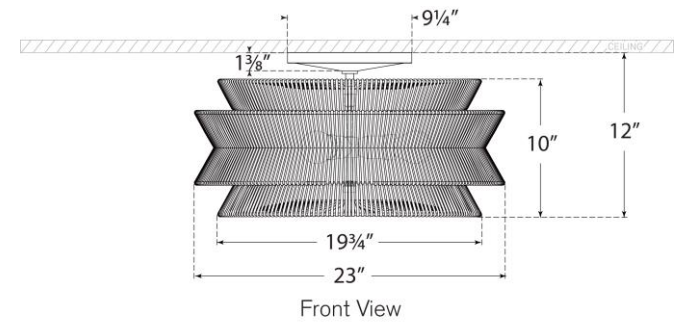
Finishes: AB/NAB, PN/NAB

Socket: 3 - E26 Keyless

Wattage: 3 - 15 LED A19

Weight: 14 Pounds

Note: UL Only



Top View