

## ASSEMBLY INSTRUCTIONS

## Antigua XL Drum Chandelier

Item # CHC 5017

### NOTICE:

This light fixture should be installed in accordance with all applicable, local installation codes, and by a person familiar with the construction and operation of it, as well as the hazards involved. Inspect item and contents carefully. If any damage or defect is found, do not install. Retain all packaging material until installation is complete and approved.

### TOOLS REQUIRED (NOT INCLUDED):

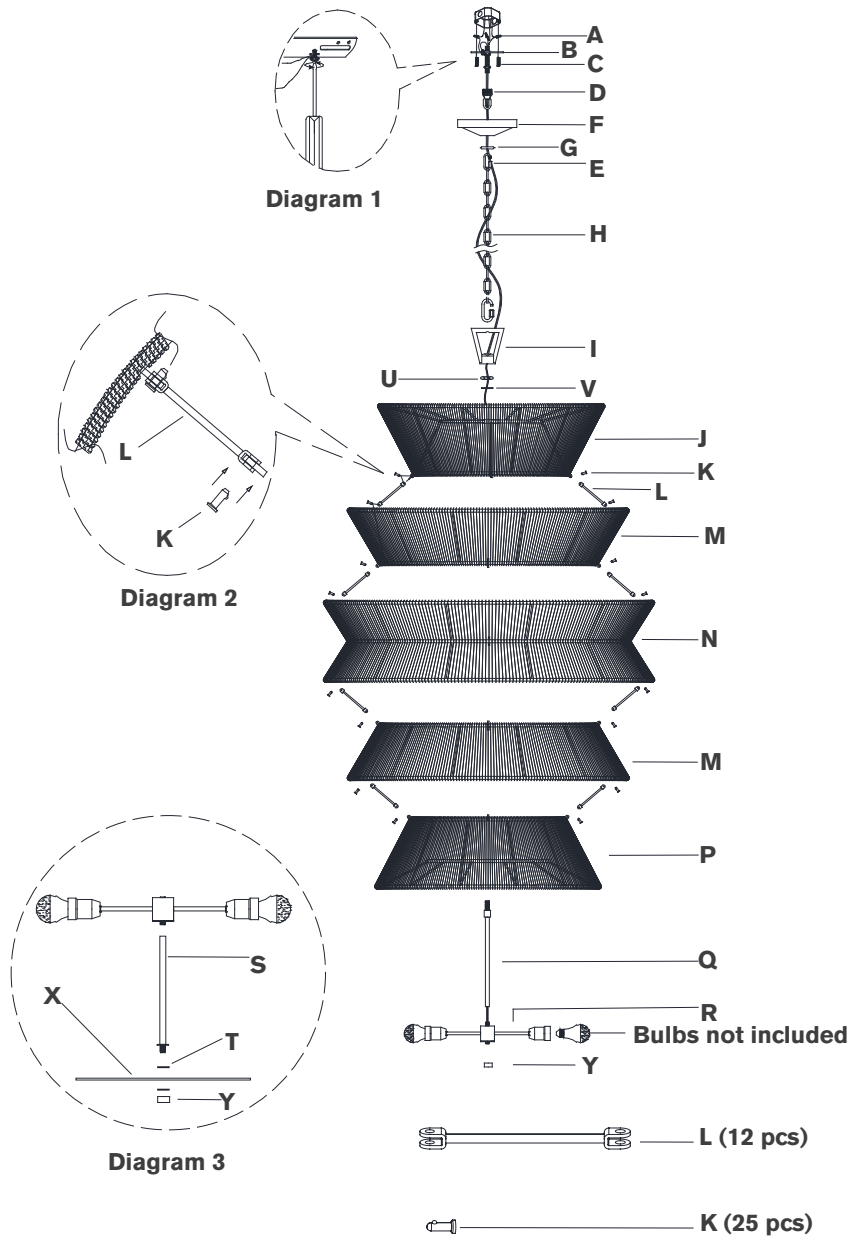
Phillips Screwdriver	Slotted Screwdriver	Chain Pliers
Slip Joint Pliers	Measuring Tape	Wire Cutters
Wire Strippers		

### PERSONS REQUIRED: Two

- Carefully remove all parts from the box. Place on a clean, soft surface.
- Remove collar loop (D) from chain (H) by removing quick link (E).
- Install mounting plate (B) to the junction box and secure with mounting screws (C).
- Secure collar loop (D) to mounting plate (B) using pliers to tighten locknut.
- Install canopy (F) to collar loop (D) and secure with collar ring (G).
- Determine desired overall length, and amount of chain (H) needed. Shorten chain using chain pliers. (Keep extra chain)
- Remove hex nut (U) and spring washer (V) from rod (Q), then thread rod (Q) to cluster (R).

**NOTE:** It is recommended to have a helper assist in supporting the fixture for steps 8-10.

- Feed fixture wire and ground wire through bottom hole of spider on shade (J), then install shade (J) to rod (Q) securing with spring washer (V) and hex nut (U).
- Thread fixture loop (I) to the threaded nipple.
- Attach chain (H) to collar loop (D) and fixture loop (I) using quick links (E). Secure quick links (E).



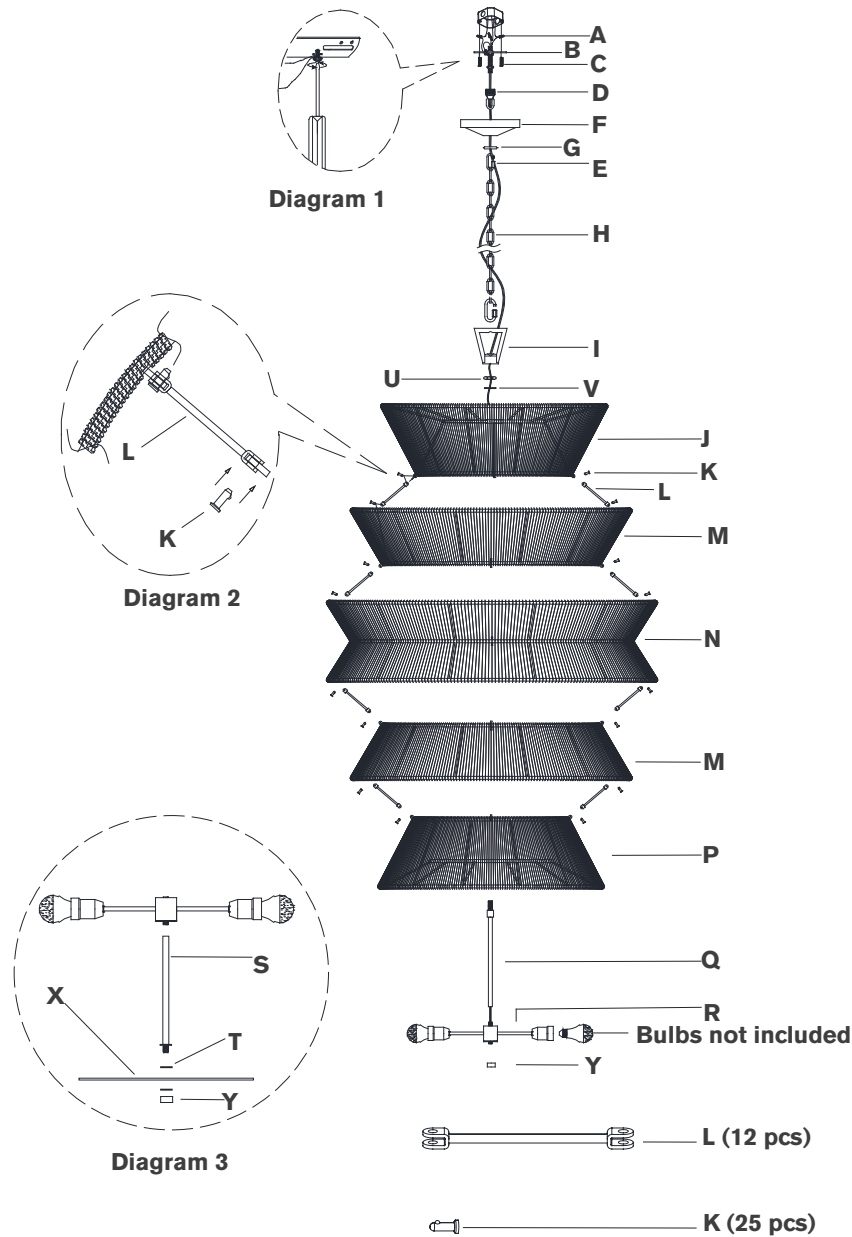
## ASSEMBLY INSTRUCTIONS

## Antigua XL Drum Chandelier

Item # CHC 5017

### NOTICE:

This light fixture should be installed in accordance with all applicable, local installation codes, and by a person familiar with the construction and operation of it, as well as the hazards involved. Inspect item and contents carefully. If any damage or defect is found, do not install. Retain all packaging material until installation is complete and approved.



11. Thread fixture wire and ground wire through chain **(H)**.

**NOTE:** When you reach the collar loop **(D)**, ensure there is no tension on the wires. Cut excess wires, being sure to leave enough to reach the junction box.

12. Separate two sides of molded wire, and strip insulation on each 5/8".
13. Loosen collar ring **(G)** and let canopy **(F)** slip down chain **(H)** carefully.
14. Twist all fixture wires together, and slip through center hole of collar loop **(D)**.

**NOTE:** Untwist wires and separate to prepare for connection.

15. Wrap fixture ground wire (bare copper) around the green grounding screw (see diagram 1). Tighten. Continue fixture ground wire and connect to supply ground wire (usually green or bare copper) using wire nut **(A)**.

**NOTE:** It is imperative that the fixture is grounded.

16. Connect fixture neutral wire (ribbed) to the supply neutral wire (usually white) using wire nut **(A)**.
17. Connect fixture hot wire (smooth with markings) to the supply hot wire (usually black) using wire nut **(A)**.

**CAUTION:** Do not reverse the hot and neutral connections.

18. Make sure all wire connections are tight, then carefully tuck into the junction box.

19. Install canopy **(F)** to collar loop **(D)** and secure with collar ring **(G)**.  
**NOTE:** It is recommended to have a helper assist in supporting the fixture for steps 20.

## ASSEMBLY INSTRUCTIONS

## Antigua XL Drum Chandelier

Item # CHC 5017

### NOTICE:

This light fixture should be installed in accordance with all applicable, local installation codes, and by a person familiar with the construction and operation of it, as well as the hazards involved. Inspect item and contents carefully. If any damage or defect is found, do not install. Retain all packaging material until installation is complete and approved.

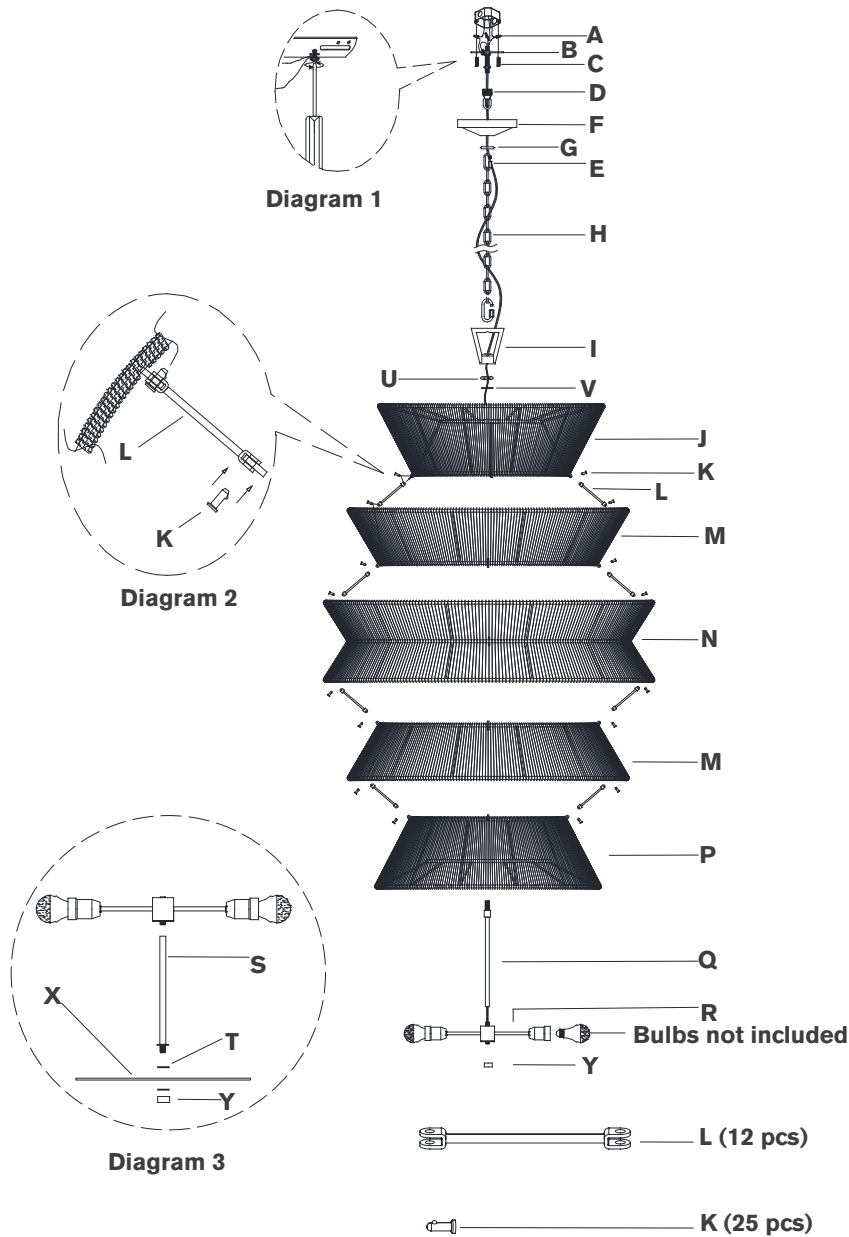
20. Install shade (**M**) to shade (**J**), securing with hanging rods (**L**) and locking pins (**K**). Repeat for shades (**N**, **M** & **P**). See diagram 2.
21. Install light bulbs into the sockets.
22. Thread finial (**Y**) to threaded nipple on bottom of cluster (**R**).

### Diffuser Option:

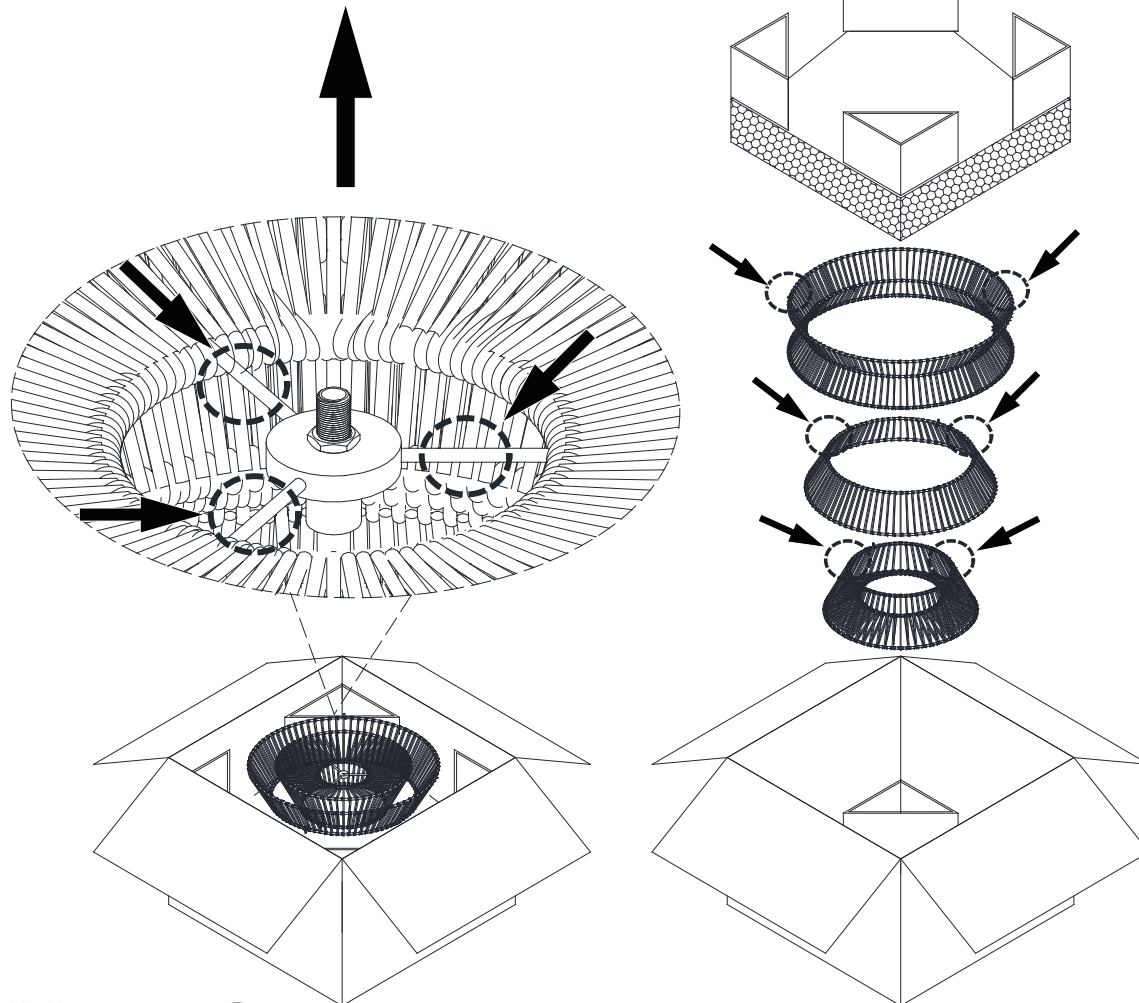
23. Thread rod (**S**) to threaded nipple on bottom of cluster (**R**).
24. Attach rubber washer (**T**) to either side of diffuser (**X**), then install to rod (**S**) and secure with finial (**Y**). See diagram 3.

**NOTE:** Do not overtighten otherwise glass could become damaged.

**Care Instructions:** Clean only with a soft dry cloth or feather duster. Do Not use abrasive or chemical agents.



## UNPACKING NOTICE



## Antigua XL Drum Chandelier

Item # CHC 5017

### NOTICE:

Please follow instructions below to avoid possible damages caused by improper removal.

1. Open box and remove top layer of packaging.
2. Evenly lift shade in areas indicated by arrows (see diagram) until clear of packaging. Place on clean, soft surface.

**NOTE:** Remove slowly to avoid damages.

VISUAL COMFORT

