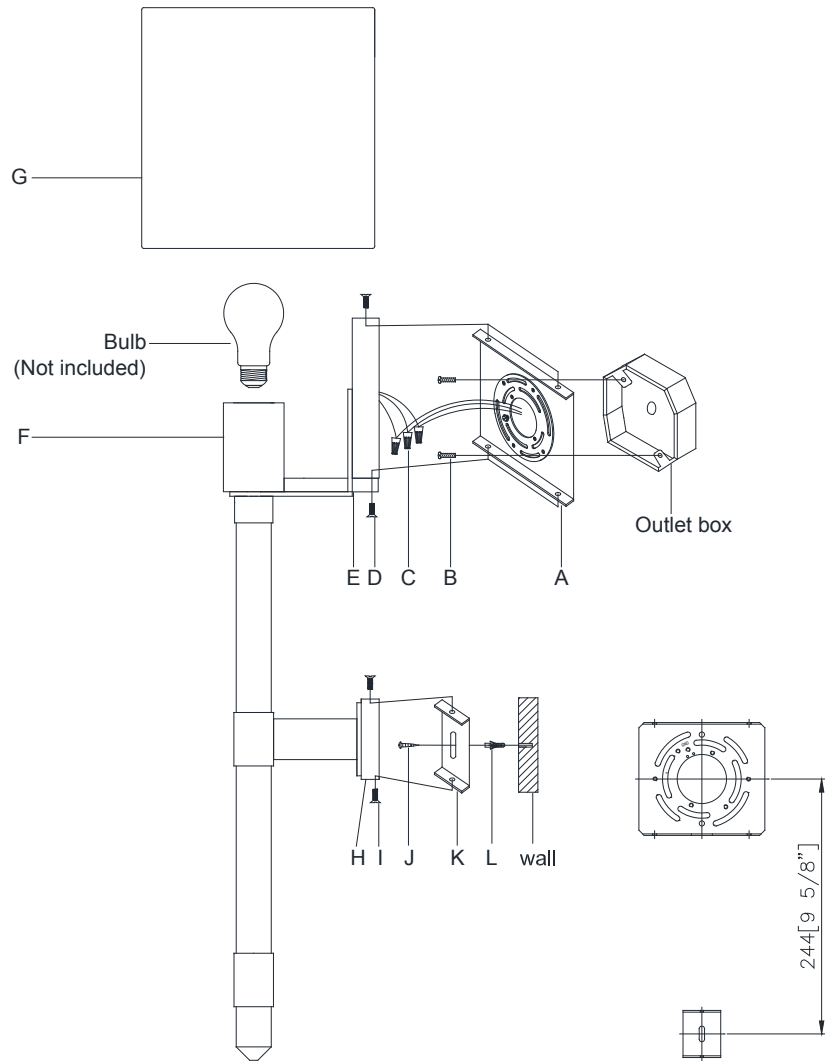


## ASSEMBLY INSTRUCTIONS



## Adaline Medium Tail Sconce

Item # SK 2904

WE RECOMMEND INSTALLATION OF THIS LIGHTING FIXTURE BE DONE BY A LICENSED ELECTRICIAN.

**WARNING\*\*\*SWITCH OFF THE MAIN ELECTRICAL SUPPLY FROM THE MAIN FUSE BOX/CIRCUIT BREAKER BEFORE INSTALLATION.**

**INSPECT ITEM CAREFULLY BEFORE ATTEMPTING TO INSTALL. IF THERE IS ANY DAMAGE OR OBVIOUS DEFECT. DO NOT INSTALL.**

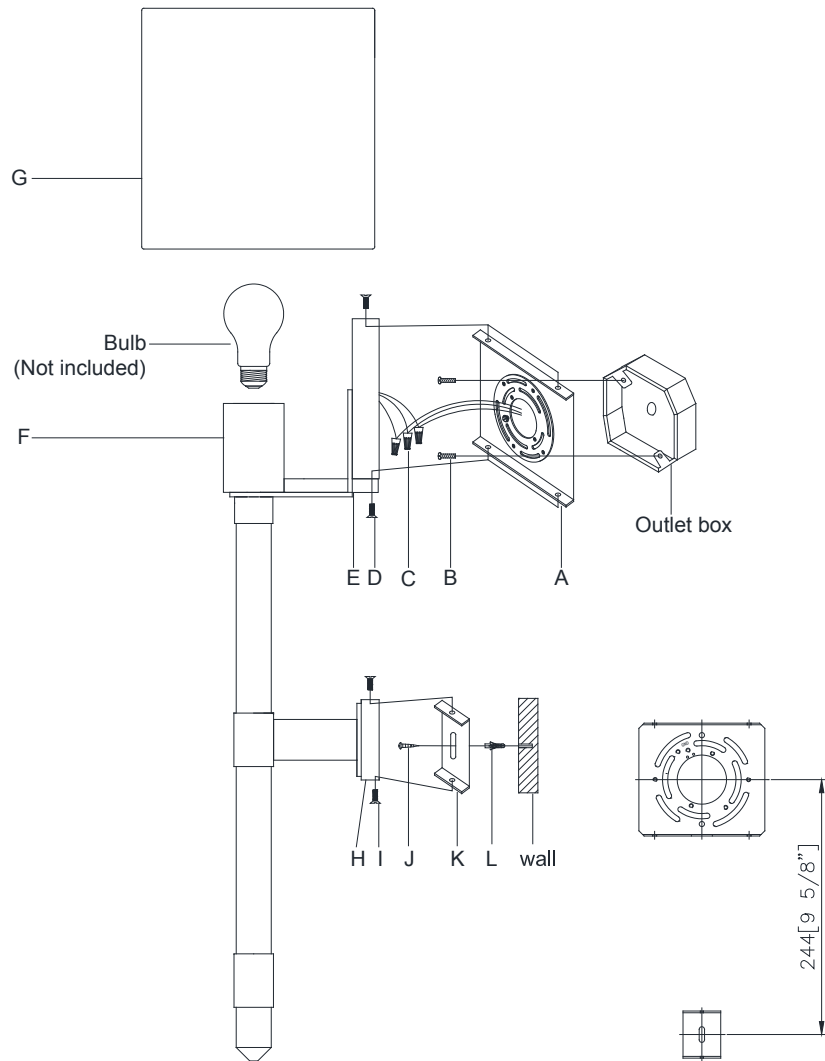
**ITEM MAY NOT BE RETURNED ONCE IT HAS BEEN INSTALLED.**

**NOTE: CAREFULLY UNPACK EACH PIECE IN TOP LAYER OF PACKING PRIOR TO REMOVING. RETAIN ALL PACKING MATERIAL UNTIL INSPECTION AND INSTALLATION ARE FINAL.**

1. Carefully remove all parts from the box.
  2. Remove mounting plate (A) from the backplate (E) by loosening the top and bottom screws (D).
  3. Remove mounting plate (K) from the backplate (H) by loosening the top and bottom screws (I).
  4. Attach the mounting plate (A) to the outlet box and secure with mounting screws (B).
  5. With the fixture dimension as a guide, put the mounting plate (K) on the wall and mark the hole position with pencil.
  6. Drill one hole on the wall and knock the anchor (L) into the hole.
  7. Attach the mounting plate (K) to the wall and secure with wood screws (J).
  8. Connect the fixture Ground (bare) wire with the ground wire from the outlet box using wire nut (C). If your house does not have ground wire, then attach this wire to the green grounding screw inside of the outlet box.
  9. Connect the fixture Neutral wire (WHITE) with the neutral wire (White) from the outlet box using wire nut (C).
  10. Connect the fixture Hot wire (BLACK) with the hot wire (Black) from the outlet box using wire nut (C).
- DO NOT REVERSE THE HOT AND NEUTRAL CONNECTIONS OR SAFETY WILL BE COMPROMISED.



## ASSEMBLY INSTRUCTIONS



## Adaline Medium Tail Sconce

Item # SK 2904

WE RECOMMEND INSTALLATION OF THIS LIGHTING FIXTURE BE DONE BY A LICENSED ELECTRICIAN.

WARNING\*\*\*SWITCH OFF THE MAIN ELECTRICAL SUPPLY FROM THE MAIN FUSE BOX/CIRCUIT BREAKER BEFORE INSTALLATION.

INSPECT ITEM CAREFULLY BEFORE ATTEMPTING TO INSTALL. IF THERE IS ANY DAMAGE OR OBVIOUS DEFECT. DO NOT INSTALL.

ITEM MAY NOT BE RETURNED ONCE IT HAS BEEN INSTALLED.

NOTE: CAREFULLY UNPACK EACH PIECE IN TOP LAYER OF PACKING PRIOR TO REMOVING. RETAIN ALL PACKING MATERIAL UNTIL INSPECTION AND INSTALLATION ARE FINAL.

11. Attach the backplate (E) onto the mounting plate (A) and secure with top and bottom screws (D).
12. Attach the backplate (H) onto the mounting plate (K) and secure with top and bottom screws (I).
13. Put the shade (G) onto the socket cup (F).
14. Insert bulb (not included) into the socket.
15. Installation is complete, turn on power at fuse or circuit breaker.

\*\*\*Clean with a dry, soft cloth only. Use no harsh abrasives or chemical agents.

