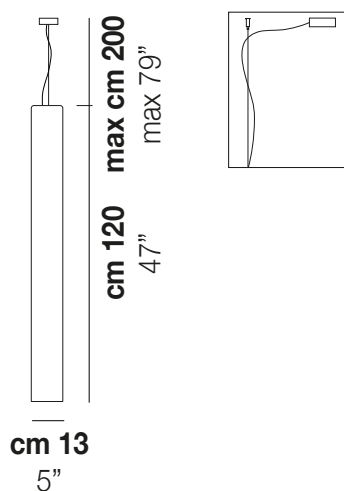


TUBES SP 120



TECHNICAL DATA:



CERTIFICATIONS:

LIGHT SOURCES

1x60W 120V/60HZ E26

VOLUME Mc 0,14
GROSS WEIGHT Kg 9,5
NET WEIGHT Kg 8

[download](#)



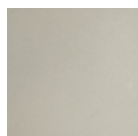
SHADE FINISHING



BCLU

FUTR

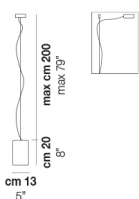
FRAME FINISHING



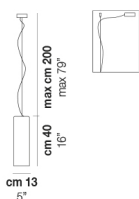
NO

OTHER VERSION AVAILABLE

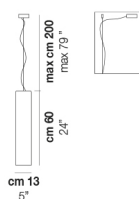
Click on the version to go to the web version of the product



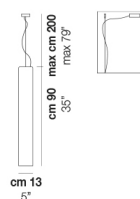
TUBES SP 20



TUBES SP 40



TUBES SP 60



TUBES SP 90