

STONE

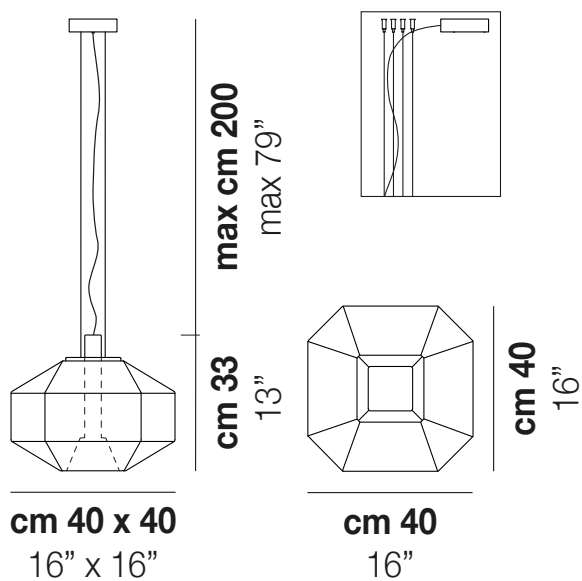
Design Hangar Group

STONE SP



Stone is characterized by almost sculptured volumes, where the lightness of blown glass is opposed to the solidity of linear geometries. In this counterpoint, between the use of a material naturally tending to round shapes, and a rigorous design requiring edges and orthogonal lines, the balance of a bright, original composition is expressed.

LED light source.



STONE SP

TECHNICAL DATA:



CERTIFICATIONS:

LIGHT SOURCES

LED	Power	Voltage	Beam Angle	Light Output	Control
LED 2700K DIM2	1x2 W	82V	29°	1000 lm	Phase Cut
LED 2700K DIM3	1x2 W	82V	29°	1000 lm	0-10V, Push
LED 3000K DIM2	1x2 W	82V	29°	1200 lm	Phase Cut
LED 3000K DIM3	1x2 W	82V	29°	1200 lm	0-10V, Push

VOLUME	Mc 0,16
GROSS WEIGHT	Kg 13
NET WEIGHT	Kg 9

download



SHADE FINISHING



CRBC FUBC

FRAME FINISHING



NN