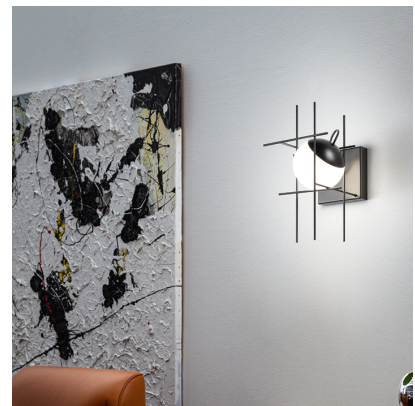


## PLOT FRAME

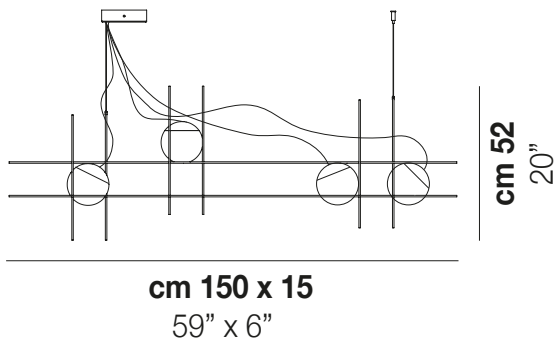
Design Chiaramonte & Marin

## PLOT FRAME SP 4



The inspiration behind Plot Frame is to render the motion and simplicity of a sphere. A metal weave where luminescent glass spheres are almost free to move, allowing the user to interact with the object. Matt black frame. LED light source.

## PLOT FRAME SP 4



### TECHNICAL DATA:



LED 2700K DIM2	4x8,5 W	24 V
LED 2700K DIM3	4x8,5 W	24 V
LED 3000K DIM2	4x8,5 W	24 V
LED 3000K DIM3	4x8,5 W	24 V

### CERTIFICATIONS:

Led 2700 K 8,5 W 24 V 1200 lm DIM2 Phase Cut  
 Led 2700 K 8,5 W 24 V 1200 lm DIM3 0-10V, Push  
 Led 3000 K 8,5 W 24 V 1200 lm DIM2 Phase Cut  
 Led 3000 K 8,5 W 24 V 1200 lm DIM3 0-10V, Push

VOLUME	Mc 0,23
GROSS WEIGHT	Kg 20
NET WEIGHT	Kg 15

[download](#)

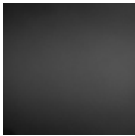


### SHADE FINISHING



BCLU

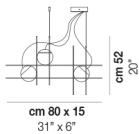
### FRAME FINISHING



NEO

### OTHER VERSION AVAILABLE

Click on the version to go to the web version of the product



PLOT SP3