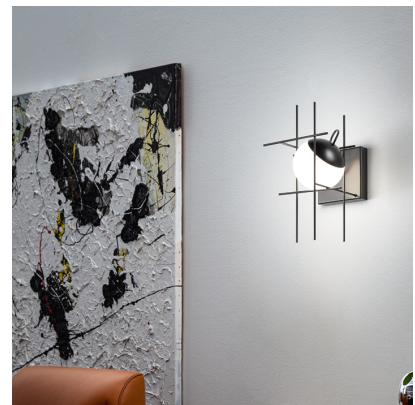


PLOT FRAME

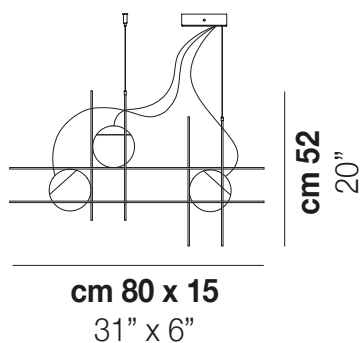
Design Chiaramonte & Marin

PLOT FRAME SP 3



The inspiration behind Plot Frame is to render the motion and simplicity of a sphere. A metal weave where luminescent glass spheres are almost free to move, allowing the user to interact with the object. Matt black frame. LED light source.

PLOT FRAME SP 3



TECHNICAL DATA:



LED 2700K DIM2	3x8,5 W	24 V
LED 2700K DIM3	3x8,5 W	24 V
LED 3000K DIM2	3x8,5 W	24 V
LED 3000K DIM3	3x8,5 W	24 V

CERTIFICATIONS:

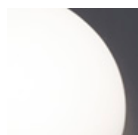
Led 2700 K 8,5 W 24 V 1200 lm DIM2 Phase Cut
 Led 2700 K 8,5 W 24 V 1200 lm DIM3 0-10V, Push
 Led 3000 K 8,5 W 24 V 1200 lm DIM2 Phase Cut
 Led 3000 K 8,5 W 24 V 1200 lm DIM3 0-10V, Push

VOLUME	Mc 0,21
GROSS WEIGHT	Kg 15
NET WEIGHT	Kg 10

[download](#)



SHADE FINISHING



BCLU

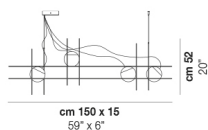
FRAME FINISHING



NEO

OTHER VERSION AVAILABLE

Click on the version to go to the web version of the product



PLOT SP4