

MEDEA

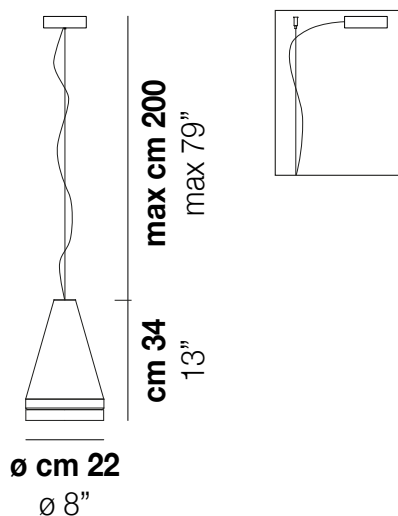
Design Oriano Favaretto

MEDEA SP 3



The search for primordial forms and their combination leave ample scope for interpretation. The glass and the light range of colours create transitional half-tones suggesting their shape as in a watercolour of vibrant transparencies. The LED source illuminates the surface and the glass at the same time, bringing towards the ceiling a part of the soft-colour light. Mounted in clusters or individually, they show a strong stylistic character, and become almost sculptures. Crystal, shaded white, transparent smoke and old green glass colours are enriched by matt steel finishes.

MEDEA SP 3



TECHNICAL DATA:



LED 2700K DIM2	1x14 W	28 V
LED 2700K DIM3	1x14 W	28 V
LED 3000K DIM2	1x14 W	28 V
LED 3000K DIM3	1x14 W	28 V

CERTIFICATIONS:

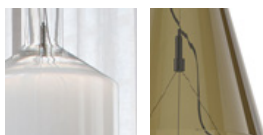
Led 2700 K 14 W 28 V 2000 lm DIM2 Phase Cut
 Led 2700 K 14 W 28 V 2000 lm DIM3 0-10V, Push
 Led 3000 K 14 W 28 V 2000 lm DIM2 Phase Cut
 Led 3000 K 14 W 28 V 2000 lm DIM3 0-10V, Push

VOLUME	Mc 0,1
GROSS WEIGHT	Kg 7
NET WEIGHT	Kg 3

[download](#)



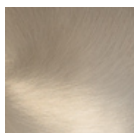
SHADE FINISHING



BCSF

VATR

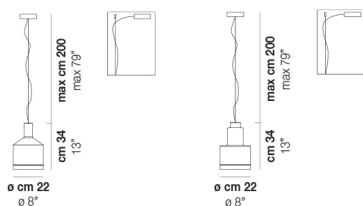
FRAME FINISHING



AVS

OTHER VERSION AVAILABLE

Click on the version to go to the web version of the product



MEDEA SP 1

MEDEA SP 2