

LIO

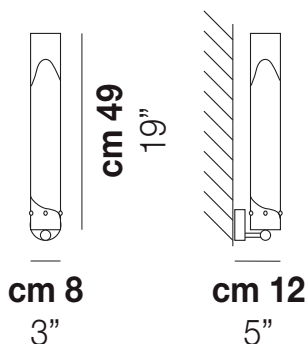
Design Vistosi

LIO AP 48



The minimal and unobtrusive design of this collection enhances the light source thanks to the traslucid white band included in the glass.

## LIO AP 48



### TECHNICAL DATA:



### CERTIFICATIONS:



### LIGHT SOURCES

1x60W 120V/60HZ E26

VOLUME Mc 0,05  
GROSS WEIGHT Kg 3  
NET WEIGHT Kg 2

[download](#)

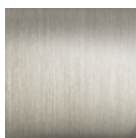


### SHADE FINISHING



CRBC

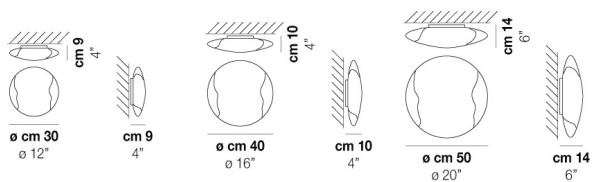
### FRAME FINISHING



NI

### OTHER VERSION AVAILABLE

Click on the version to go to the web version of the product



LIO PP 30

LIO PP 40

LIO PP 50

LIO AP L1 P

LIO AP L2 P