

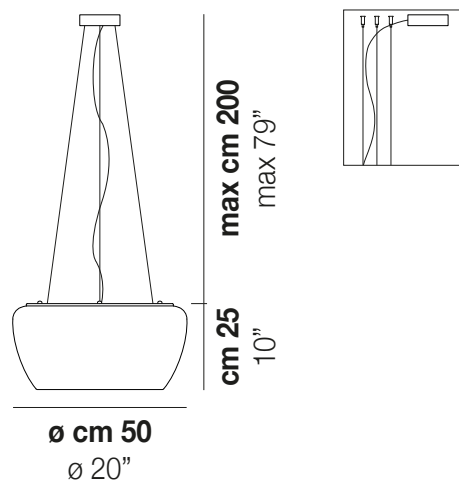
## IMPLODE

Design Gregorio Spini

## IMPLODE SP 50



A collection that represents the illusion of a surface created by the implosion of a volume. The glass, due to the thickness, shows a gradation of multiple layers of white and transparent crystal.



## IMPLODE SP 50

### TECHNICAL DATA:



### CERTIFICATIONS:



### LIGHT SOURCES

3x60W 120V/60HZ E26

VOLUME Mc 0,23  
 GROSS WEIGHT Kg 21  
 NET WEIGHT Kg 16

download



### SHADE FINISHING



BCCR

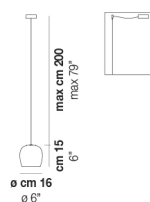
### FRAME FINISHING



BC

### OTHER VERSION AVAILABLE

Click on the version to go to the web version of the product



IMPLO SP 16