

## FUTURA

Design Hangar Group

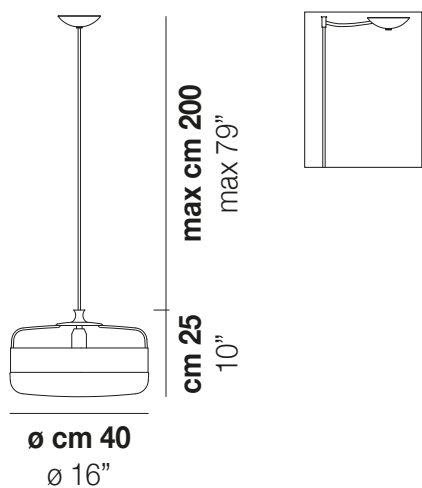
## FUTURA SP G



A collection of lamps made from a single piece of blown glass, whose particular workmanship, though, allows a double chromatic effect: transparent at the top, satin effect at the bottom. The following combinations of glass with metal ring are now available: white glass combined with matt black ring, smoky glass with brown ring, amber glass with painted brass ring. A new transparent crystal glass finish with copper or matt black ring is also available.



## FUTURA SP G



### TECHNICAL DATA:



### CERTIFICATIONS:



### LIGHT SOURCES

1x60w 120V/60HZ E26

VOLUME Mc 0,16  
GROSS WEIGHT Kg 10,5  
NET WEIGHT Kg 7,5

[download](#)



### SHADE FINISHING



AMOT

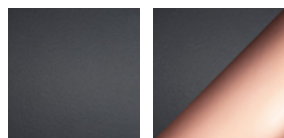
BCNE

CRNE

CRRA

FUMA

### FRAME FINISHING

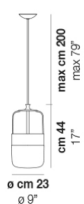


NE

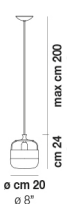
R\_N

### OTHER VERSION AVAILABLE

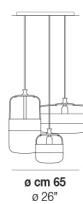
Click on the version to go to the web version of the product



FUTUR SP M



FUTUR SP P



FUTUR SP 3