

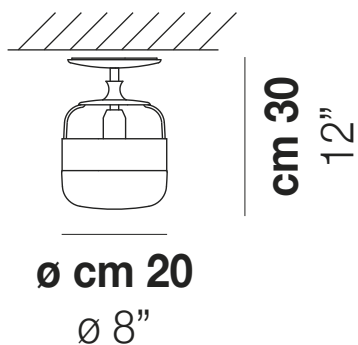
FUTURA
Design Hangar Group

FUTURA PL P



A collection of lamps made from a single piece of blown glass, whose particular workmanship, though, allows a double chromatic effect: transparent at the top, satin effect at the bottom. The following combinations of glass with metal ring are now available: white glass combined with matt black ring, smoky glass with brown ring, amber glass with painted brass ring. A new transparent crystal glass finish with copper or matt black ring is also available.

FUTURA PL P



TECHNICAL DATA:



CERTIFICATIONS:



LIGHT SOURCES

1x60w 120V/60HZ E26

VOLUME Mc 0,16
GROSS WEIGHT Kg 10
NET WEIGHT Kg 7

download



SHADE FINISHING



AMOT

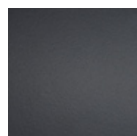
BCNE

CRNE

CRRA

FUMA

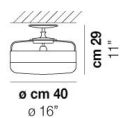
FRAME FINISHING



NE

OTHER VERSION AVAILABLE

Click on the version to go to the web version of the product



FUTUR PL G