

## ECOS

Design Renato Toso, Noti Massari & Associati

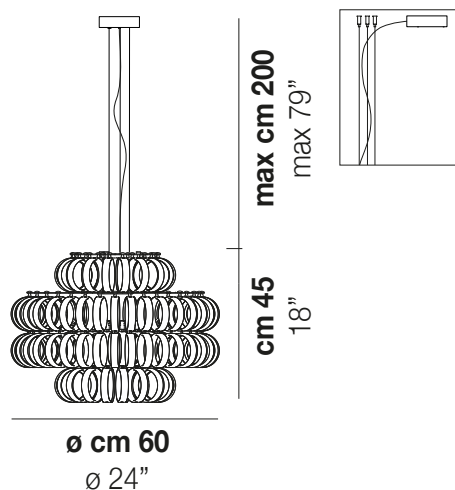
## ECOS SP 60C



One ring, infinite combinations. The concept of the Ecos collection is just in one element: the glass ring. The chromatic and texture variations that the designers Renato Toso, Noti Massari e Associati have been able to obtain from this simple element are several. That makes the collection extremely customizable in terms of shapes and sizes, for a truly original lighting. Available in the following versions: suspension, applique and floor lamp. Rigadin white or crystal colour glass. Metal parts finishing in satin bronze and chrome.



## ECOS SP 60C



### TECHNICAL DATA:



### CERTIFICATIONS:

### LIGHT SOURCES

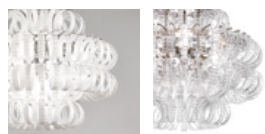
4x60 W 120V/60HZ E26

VOLUME Mc 0,24  
GROSS WEIGHT Kg 20  
NET WEIGHT Kg 15

[download](#)



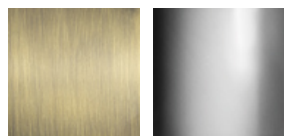
### SHADE FINISHING



BCRI

CRRI

### FRAME FINISHING

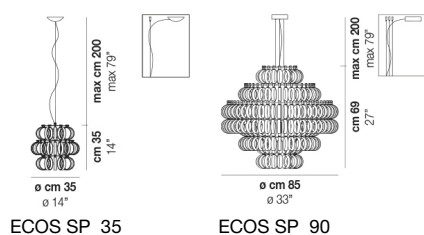


BS

CR

### OTHER VERSION AVAILABLE

Click on the version to go to the web version of the product



[ECOS SP 35](#)

[ECOS SP 90](#)