

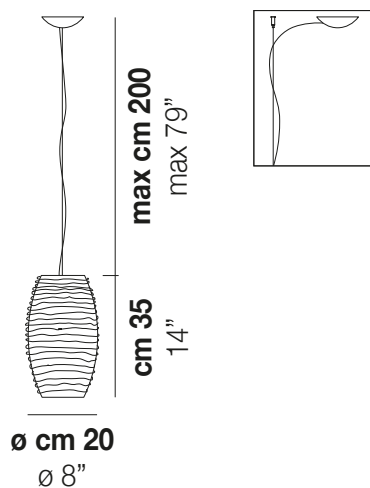
DAMASCO

DAMASCO SP G

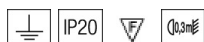


Due to its versatility, one of our most successful series that has been developed and extended during the years with new versions. It is produced with the bozzolo technique that consists in applying threads of molten glass that create an organic texture.

DAMASCO SP G



TECHNICAL DATA:



CERTIFICATIONS:

LIGHT SOURCES

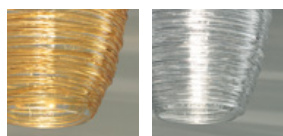
1x60W 120V/60HZ E26

VOLUME Mc 0,08
GROSS WEIGHT Kg 8
NET WEIGHT Kg 5

[download](#)



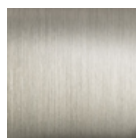
SHADE FINISHING



CRAM

CRCR

FRAME FINISHING



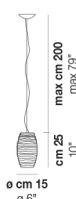
NI

OTHER VERSION AVAILABLE

Click on the version to go to the web version of the product



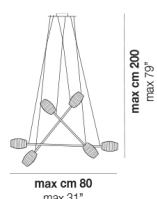
DAMAS SP C



DAMAS SP M



DAMAS SP P



DAMAS SP 6 P