

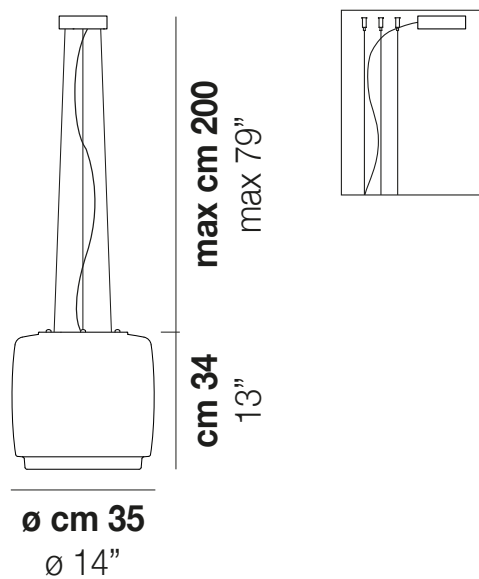
BOT

Design Gregorio Spini

BOT SP 35



A collection that represents the idea of a volume in motion that generates a new one. The concept is also a reminiscence of the process of glass blowing in which the incandescent glass contains the light before it even has a definitive shape.



BOT SP 35





TECHNICAL DATA:



CERTIFICATIONS:



LIGHT SOURCES

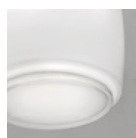
	3x60W	120V/60HZ	E26
	1x19 W	39 V	Led 2700 K 19 W 39 V 2850 lm DIM2 Phase Cut
	1x19 W	39 V	Led 2700 K 19 W 39 V 2850 lm DIM3 0-10V, Push
	1x19 W	39 V	Led 3000 K 19 W 39 V 2850 lm DIM2 Phase Cut
	1x19 W	39 V	Led 3000 K 19 W 39 V 2850 lm DIM3 0-10V, Push

VOLUME	Mc 0,19
GROSS WEIGHT	Kg 13
NET WEIGHT	Kg 9,5

download



SHADE FINISHING



BCCR

FRAME FINISHING



BC

OTHER VERSION AVAILABLE

Click on the version to go to the web version of the product



BOT SP 16



BOT SP 45

