

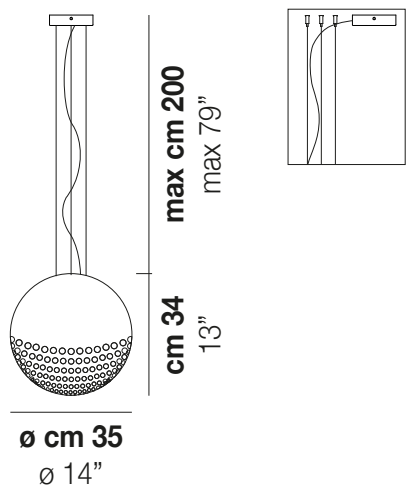
BOLLE

Design Barbara Maggiolo

BOLLE SP 35



The main characteristic of this collection of lamps produced with the baloton technique is the insertion of bubbles of air in the glass during its production, that create multiple reflections and add an organic texture on the surface of the sphere.



BOLLE SP 35

TECHNICAL DATA:



CERTIFICATIONS:



LIGHT SOURCES

1x60W 120V/60HZ E26

VOLUME Mc 0,11
GROSS WEIGHT Kg 9
NET WEIGHT Kg 7

[download](#)



SHADE FINISHING



BCBO

CRBO

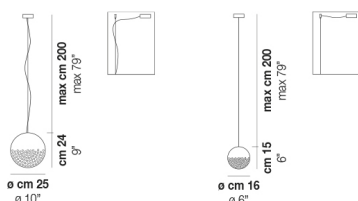
FRAME FINISHING



NI

OTHER VERSION AVAILABLE

Click on the version to go to the web version of the product



BOLLE SP G

BOLLE SP P