

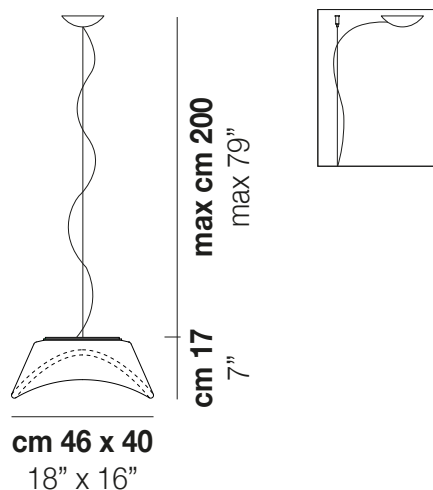
BALANCE

Design Pio e Tito Tosio

BALANCE SP M

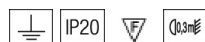


Inspired by the elliptic orbit of a planet around the sun, a motion that is created by the harmony and balance of unseen forces represented with the glass and the light. Available in three dimensions as suspension and ceiling.



BALANCE SP M

TECHNICAL DATA:



CERTIFICATIONS:



LIGHT SOURCES

2x60W 120V/60HZ E26



1x19 W 39 V

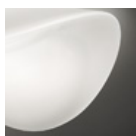
Led 3000 K 19 W 39 V 2850 lm DIM2 Phase Cut

VOLUME Mc 0,13
GROSS WEIGHT Kg 7
NET WEIGHT Kg 5

[download](#)



SHADE FINISHING



BCLU

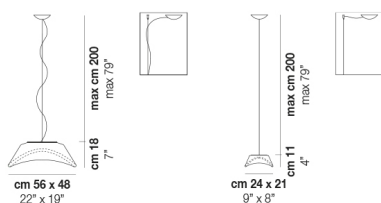
FRAME FINISHING



NIB

OTHER VERSION AVAILABLE

Click on the version to go to the web version of the product



BALAN SP G

BALAN SP 24