

BALANCE

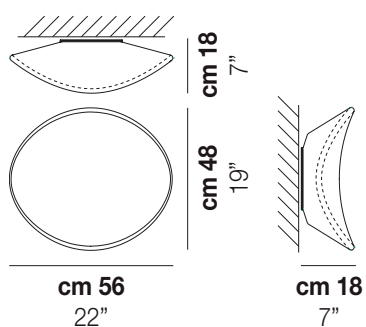
Design Pio e Tito Toso

BALANCE PL G



Inspired by the elliptic orbit of a planet around the sun, a motion that is created by the harmony and balance of unseen forces represented with the glass and the light. Available in three dimensions as suspension and ceiling.

BALANCE PL G



TECHNICAL DATA:



CERTIFICATIONS:



LIGHT SOURCES

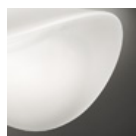
| Power | Voltage | Frequency | Base | Color Temperature | Beam Angle | Light Output | Features |
|--------|---------|-----------|------|-------------------|------------|--------------|----------------|
| 2x60W | 120V | 60HZ | E26 | 2700K | 19° | 2850 lm | Phase Cut |
| 1x19 W | 39 V | | | 2700K | 19° | 2850 lm | DIM2 Phase Cut |
| 1x19 W | 39 V | | | 3000K | 19° | 2850 lm | DIM2 Phase Cut |

| | |
|--------------|---------|
| VOLUME | Mc 0,13 |
| GROSS WEIGHT | Kg 8,5 |
| NET WEIGHT | Kg 6 |

[download](#)



SHADE FINISHING



BCLU

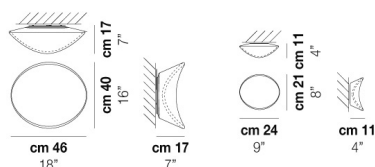
FRAME FINISHING



BC

OTHER VERSION AVAILABLE

Click on the version to go to the web version of the product



BALAN PP M

BALAN PP 24