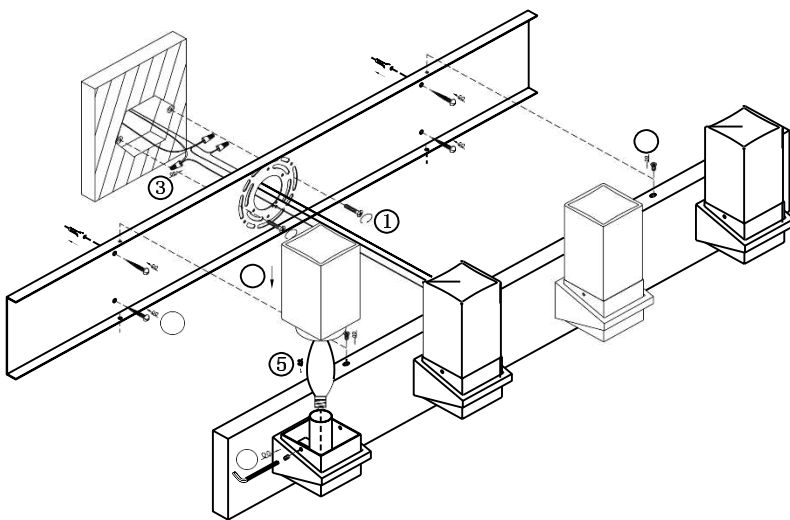
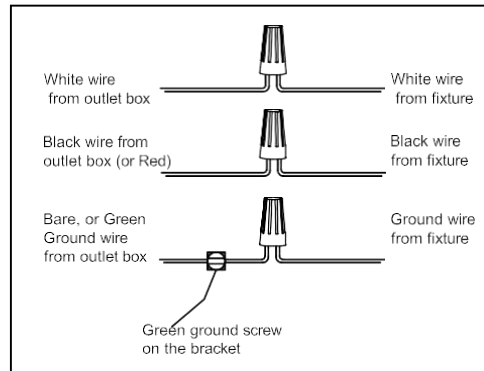


INSTRUCTION MANUAL

1. **ALways enure the power is completely OFF before any installation or maintenance.**
2. **The fixture must be installed by a qualified licensed electrician**



1. Ensure main supply is switched off.
2. Have the mounting screw (1) through the mounting bracket and screw into octagon box.
3. Connect the wires using the wire nuts, tight mounting bracket and back plate using screws.
4. Place the glass in place and tight it with the Allen screws (L-Shaped tool)
5. Install the bulbs (not included) into socket.

VL9323-3CH
VL9323-3BK
VL9323-3AB
VL9323-3AB/BK

VL9323-4CH
VL9323-4BK
VL9323-4AB
VL9323-4AB/BK

WS9323-1CH
WS9323-1BK
WS9323-1AB
WS9323-1AB/BK