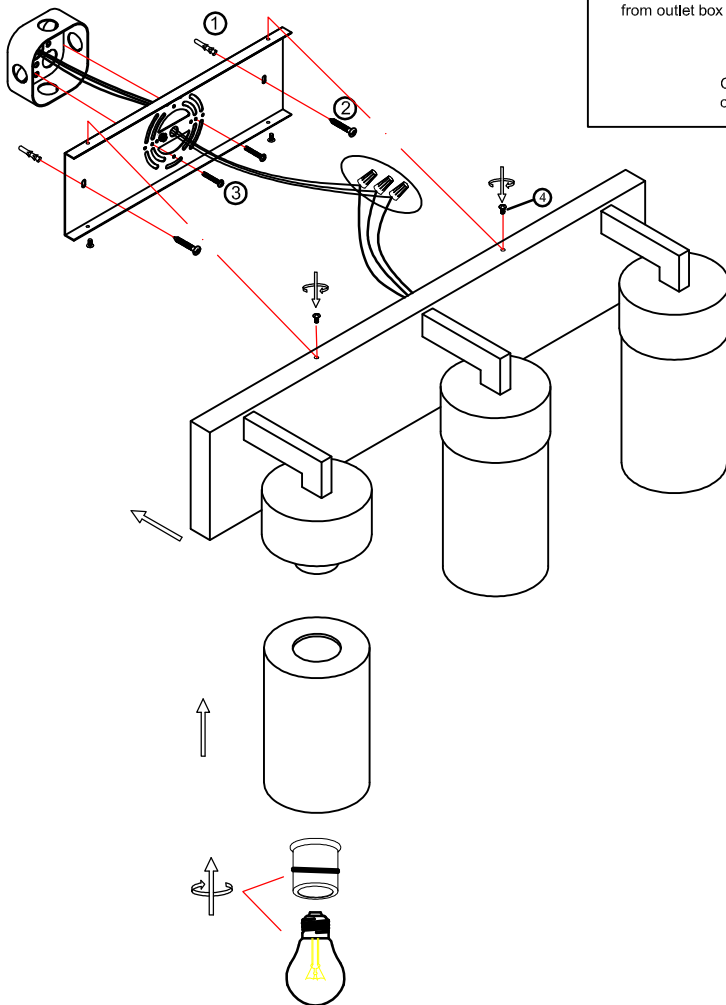
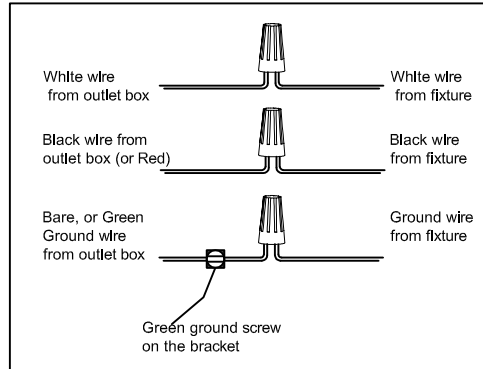
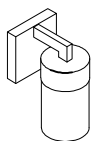


INSTRUCTION MANUAL

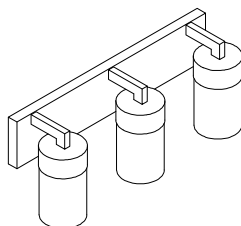
- 1. Always ensure the power is completely OFF before any installation or maintenance.**
- 2. The fixture must be installed by a qualified licensed electrician**



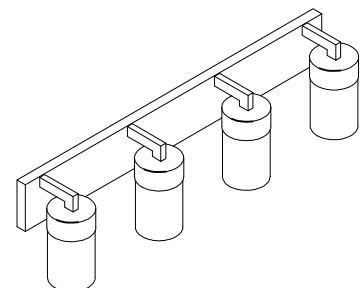
- 1. Ensure main supply is switched off.**
- 2. Put the anchoring (1) into the hole on the wall, have the screw (2) through the mounting bracket, and tighten with anchoring.**
- 3. Have the mounting screw (3) through the mounting bracket and screw into octagon box.**
- 4. Connect the wires using wire nuts, tight mounting bracket and back plate using screws (4).**
- 5. Place the glass on the socket and lock the glass in place with the socket ring.**
- 6. Install the bulb (not included) into socket.**



**WS705-1BK
WS705-1AB/BK
WS705-1AB**



**VL705-3BK
VL705-3AB/BK
VL705-3AB**



**VL705-4BK
VL705-4AB/BK
VL705-4AB**