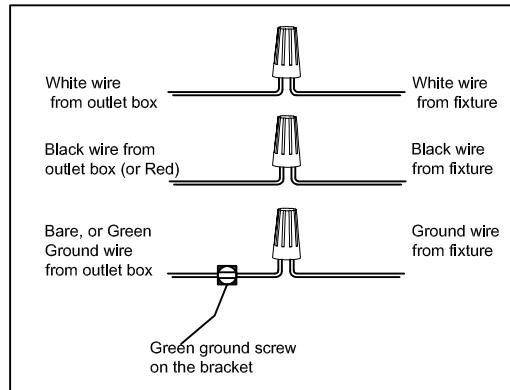
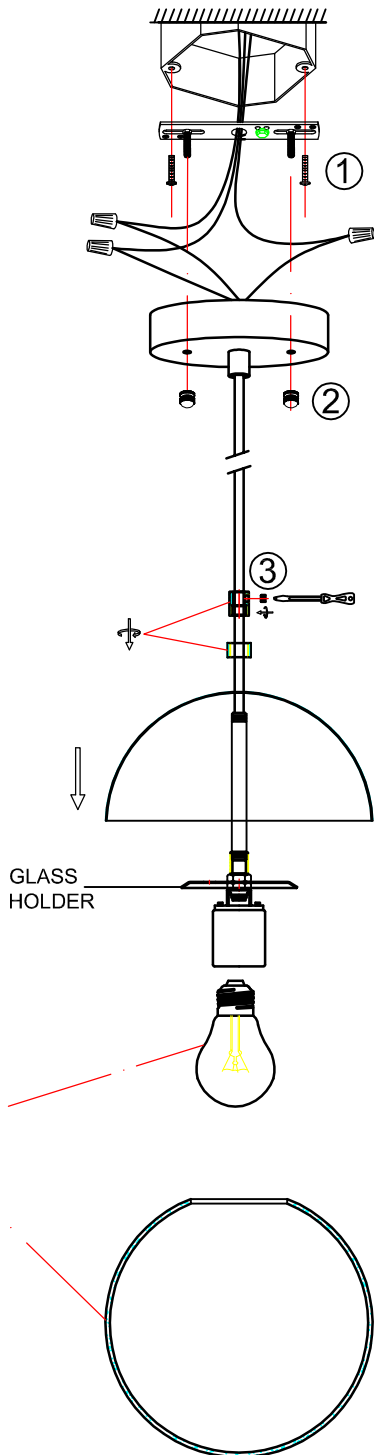
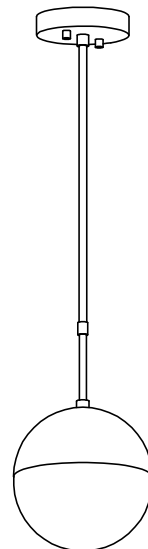


INSTRUCTION MANUAL

- 1. Always ensure the power is completely OFF before any installation or maintenance.**
- 2. The fixture must be installed by a qualified licensed electrician**



- 1. Ensure main supply is switched off.**
- 2. Have the mounting screw (1) through the mounting bracket and screw into octagon box.**
- 3. Connect the wires using wire nuts. Tight mounting bracket and back plate using screws (2).**
- 4. Install light bulb (not provided) into the socket.**
- 5. Unscrew the ring and cable locker to release the metal shade.**
- 6. Tilt and rotate the glass so that the glass holder into the glass. Drop the shade carefully and secure with ring.**
- 7. Thread the cable locker to the rod and secure cable with screw(3).**



P2001-1BK
P2001-1CH
P2001-1AB