

# INSTALLATION INSTRUCTIONS SHEET

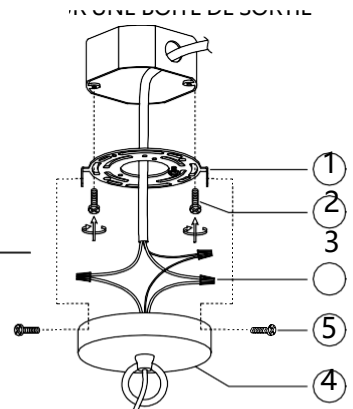
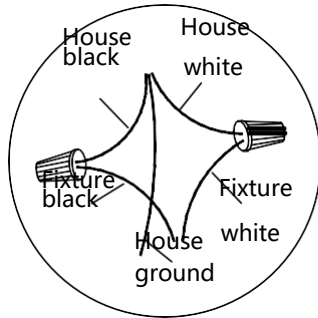
**START FROM HERE**

- Make sure power is completely off at the fuse box.
- Have your fixture installed by a qualified licensed electrician
- Prepare everything in clear area.
- Wear gloves always during this install.
- Read instructions carefully before you start assembly.
- keep this instruction sheet for future reference.
- 

**Please Note:**

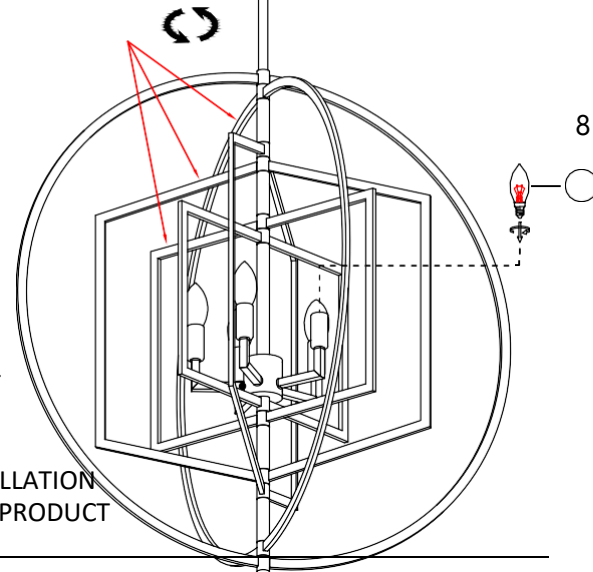
- All Lighting fixtures come with pre-wired module(s)
- Unless instructed to do so, please do not touch any part of the module(s) as any unnecessary contact with the module could cause permanent damage.

**THIS LUMINAIRE MUST BE MOUNTED OR SUPPORTED INDEPENDENTLY OF AN OUTLET BOX**



- 1 Ensure main supply is switched off
- 2 Fit mounting bracket(1) onto mounting surface with self-taping screws(2)
- 3 connect wires (3) according to color(White to White,Black to Black).Connect all earth plug together onto the crossbar with green screw to tight.
- 4 Fit ceiling plate (4) onto mounting bracket with Screw (5)
- 5 Make wire (7) across chain (6), canopy (4) in order
- 6 Install the bulbs (8) (not included) firmly into lamp holders.Reconnect power.

rotate



**WARNING:**

This fitting must be earthed.  
Disconnect power and allow fitting to cool down before cleaning or changing the lamp.

**THIS PRODUCT MUST BE INSTALLED IN ACCORDANCE WITH THE APPLICABLE INSTALLATION CODE BY A PERSON FAMILIAR WITH THE CONSTRUCTION AND OPERATION OF THE PRODUCT AND THE HAZARDS INVOLVED.**