

Vex 12 and 20 Outdoor Wall

7000WVEX12_-LED, 7000WVEX20_-LED 1.0



OUTDOOR

GENERAL PRODUCT INFORMATION:

These fixtures are intended to be installed utilizing NEC compliant junction boxes.



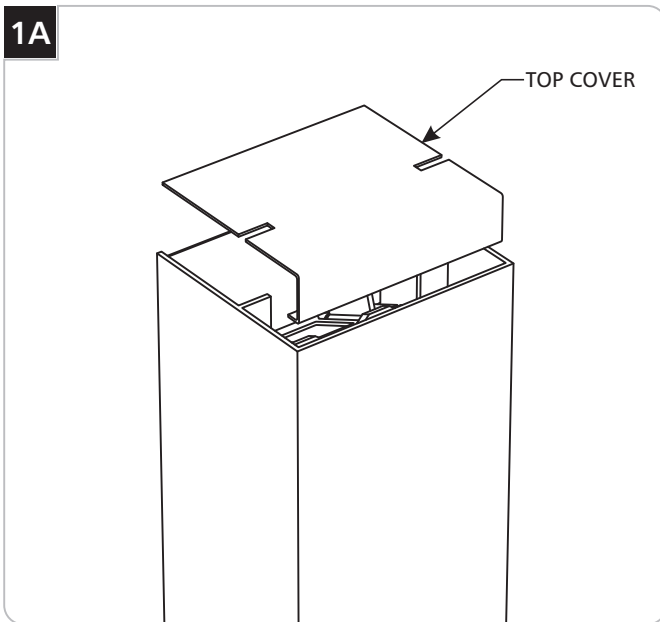
This product may be dimmed with a low-voltage electronic dimmer or a 0-10V dimmer depending on the wiring configuration.

Suitable for wet locations.

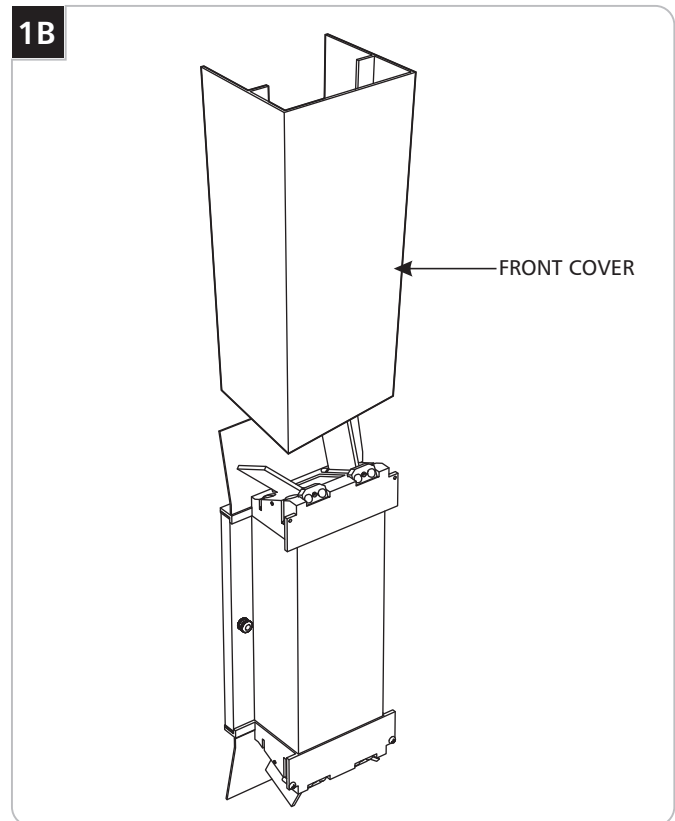


CAUTION - RISK OF FIRE
This product must be installed in accordance with the applicable installation code by a person familiar with the construction and operation of the product and the hazards involved.
Use minimum 90°C supply conductors.

Install the Fixture

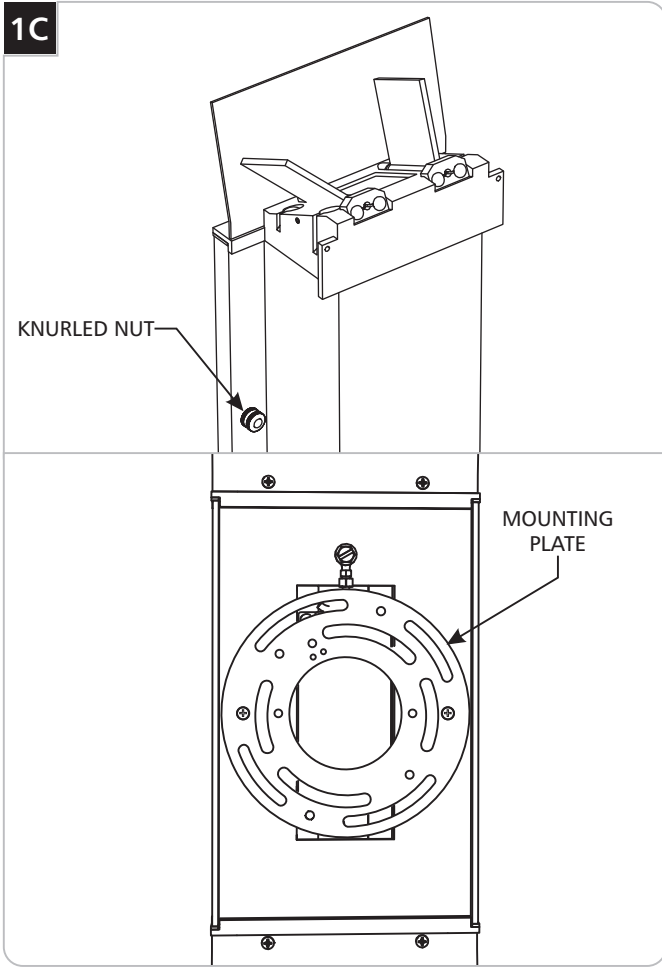


1 If necessary, remove the top cover.



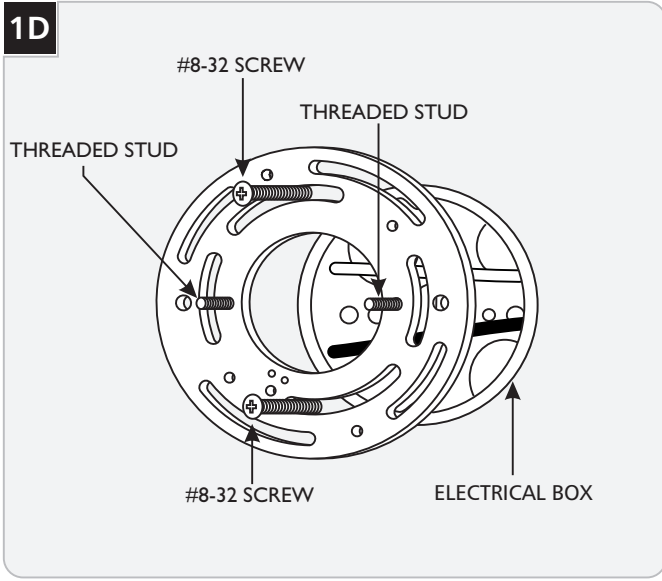
2 Slide the front cover off of the fixture.

1C



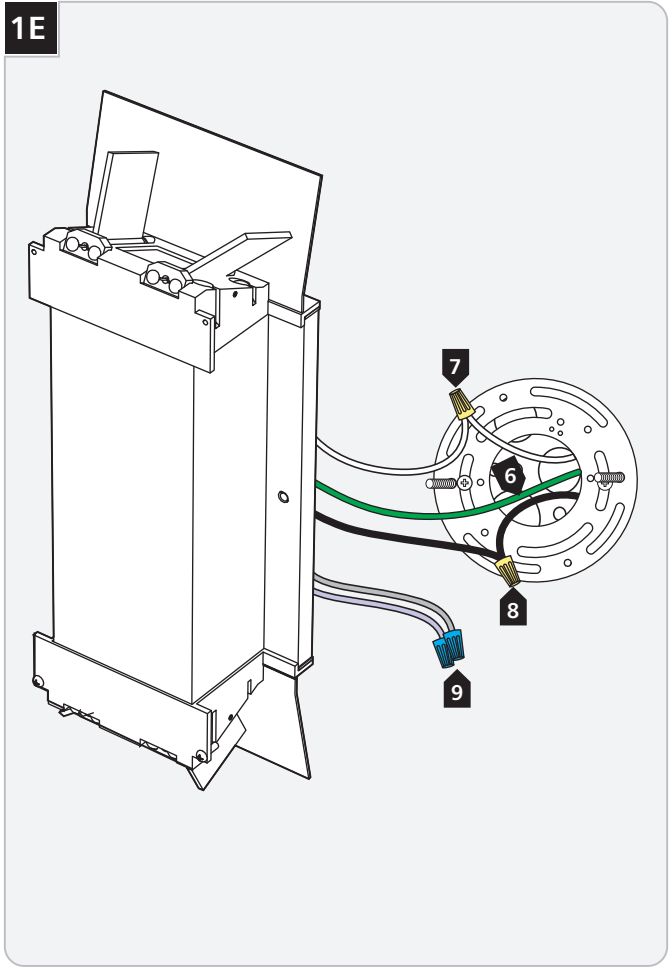
- 3 Unscrew and remove the knurled nuts from the front of the fixture.
- 4 Remove the mounting plate from the back of the fixture.

1D



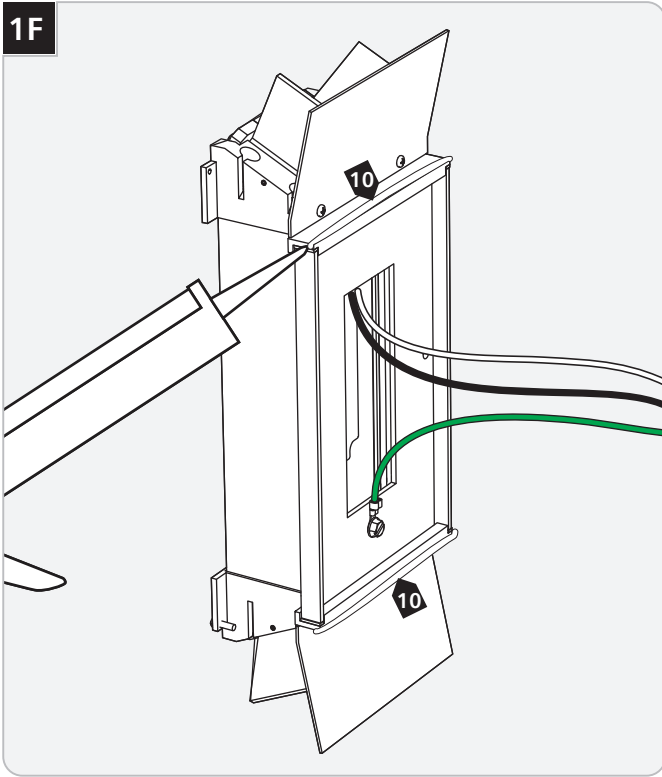
- 5 Align the two mounting studs horizontally and mount the mounting plate to the electrical box with the two #8-32 screws provided.

1E



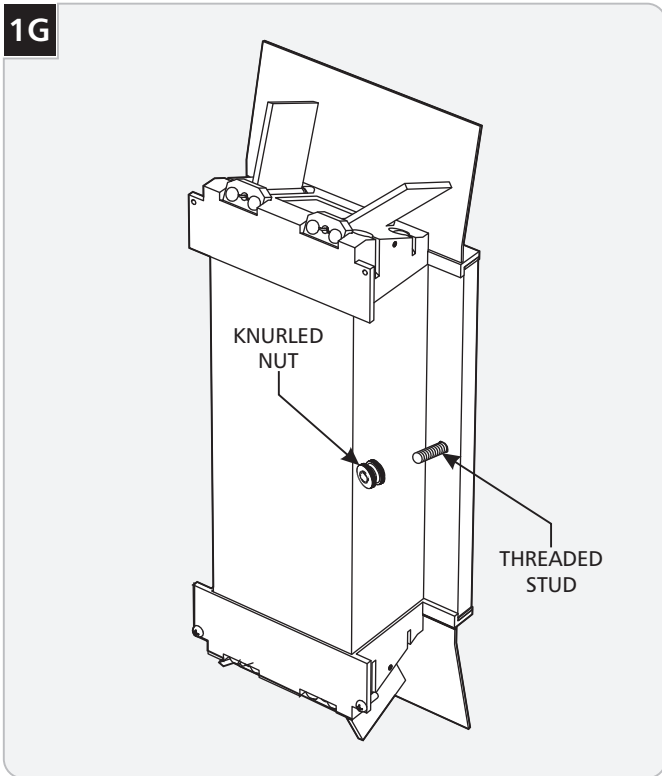
- 6 Connect the fixture to a suitable ground in accordance local electrical codes.
- 7 Connect the white fixture wire to the neutral power line wire with a wire nut.
- 8 Connect the black fixture wire to the hot power line wire with a wire nut.
- 9 For 0-10V dimming, use the purple and gray wires to connect to a compatible dimmer. If not using 0-10V dimming, make sure to cap off the purple and gray wires.

1F



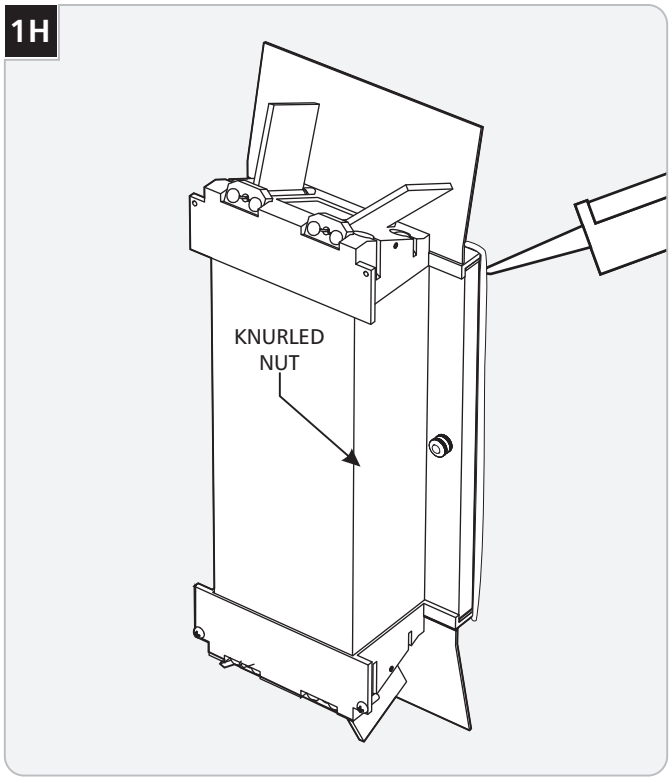
10 For wet locations, apply caulk **only** along the top and bottom of the fixture base with waterproof construction sealant.

1G



11 Neatly tuck all wires and wire nut connections into the electrical box, mount the fixture onto the threaded studs, and secure it in place by screwing the knurled nuts onto the studs.

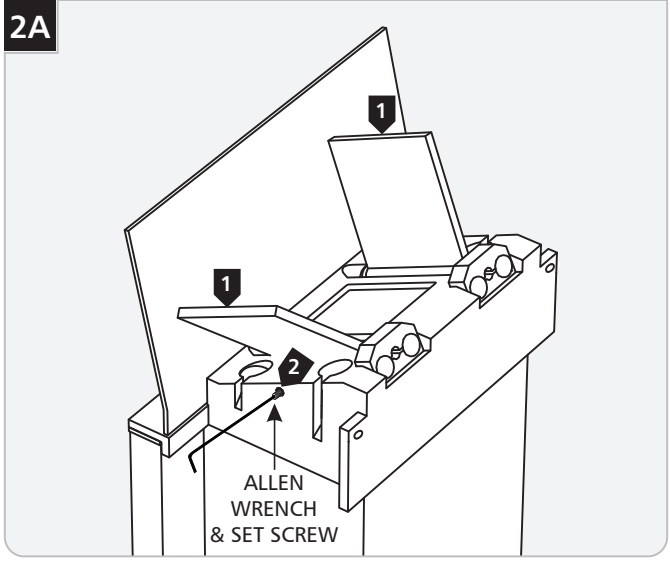
1H



12 For wet locations, caulk the remaining sides of the fixture base with waterproof construction sealant.

Adjust the Fixture

2A



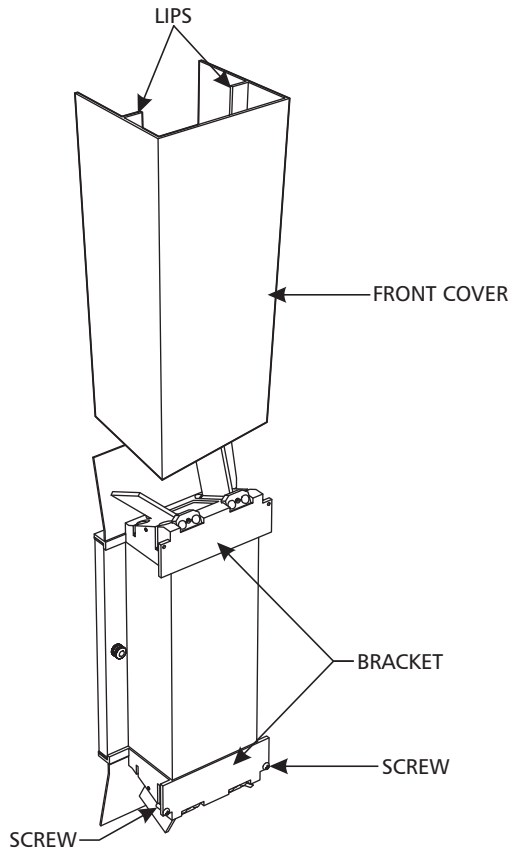
1 The angle markers can be adjusted independently. Open and close the angle markers on the top and bottom of the fixture to the desired beam angle.

2 Tighten the set screws on the sides of the fixture with the provided Allen wrench to lock them in place.

Install the Covers

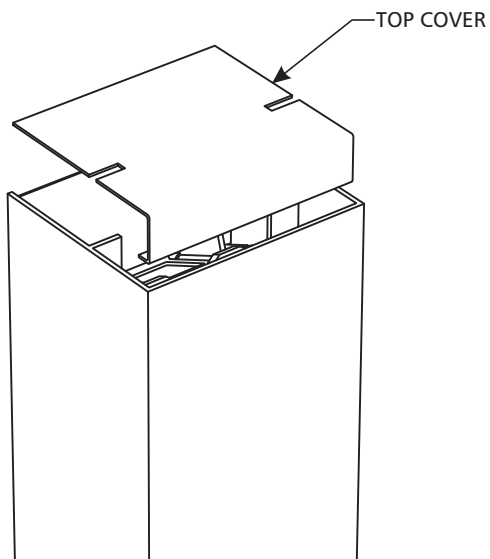
NOTE: Make sure the sealant is dry before reinstalling the cover.

3A



- 1 Carefully slide the front cover onto the fixture ensuring that the lips are behind the brackets and rest on the screws.

3B



- 2 Install the top cover to the front cover as shown.

SAVE THESE INSTRUCTIONS!

 **TECH LIGHTING®**
7400 Linder Ave, Skokie, IL 60077
847.410.4400

www.techlighting.com

© 2019 Tech Lighting, L.L.C. All rights reserved.
Visual Comfort Group