

INSTALLATION INSTRUCTIONS FOR P959-084-L

For LED Floor Lamp

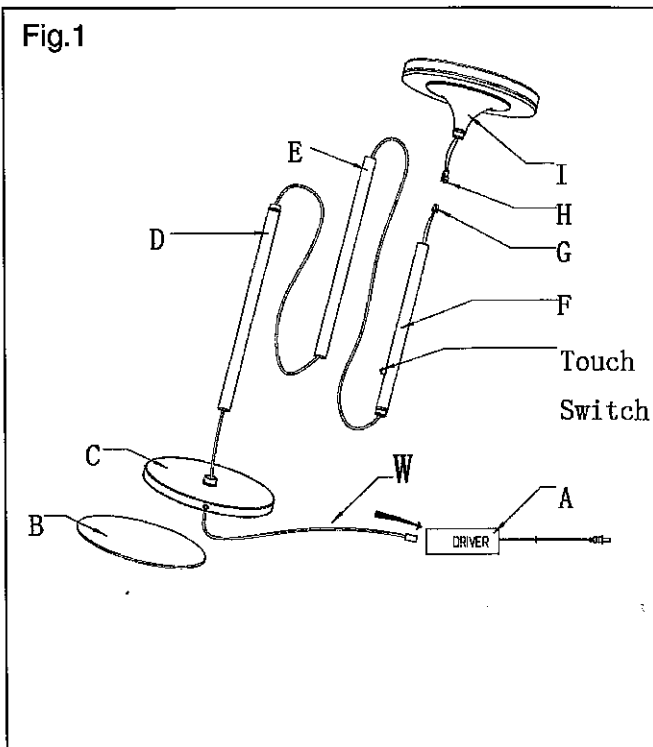
WARNING:

1. Risk of shock, do not plug in the unit before assembly is complete.
2. Do not exceed the maximum wattage rating. (NE PAS DEPASSER LA PUISSANCE NOMINALE MAXIMALE!)
3. Before turning on, please follow the instruction manual step by step.
4. Place all parts on a smooth flat surface to protect the finish until ready to install.

ASSEMBLING THE FIXTURE (FIG.1)

5. Thread the lower pole (D) to top of the base (C).
6. Thread the middle pole (E) to top of the lower pole (D).
7. Thread the upper pole (F) to top of the middle pole (E).
8. Connect (G)&(H) together and thread shade (I) onto top of upper pole (F)
9. Pull the wire (W) and connect driver (A) into the wire (J) as arrow direction shows.
10. Place the pad (B) at the bottom of the base (C).
11. Plug the power cord into an outlet and press touch switch to turn on the lamp.

Fig.1



IMPORTANT SAFETY INSTRUCTIONS

This portable lamp has a polarized plug (one blade is wider than the other) as a safety feature to reduce the risk of electric shock.

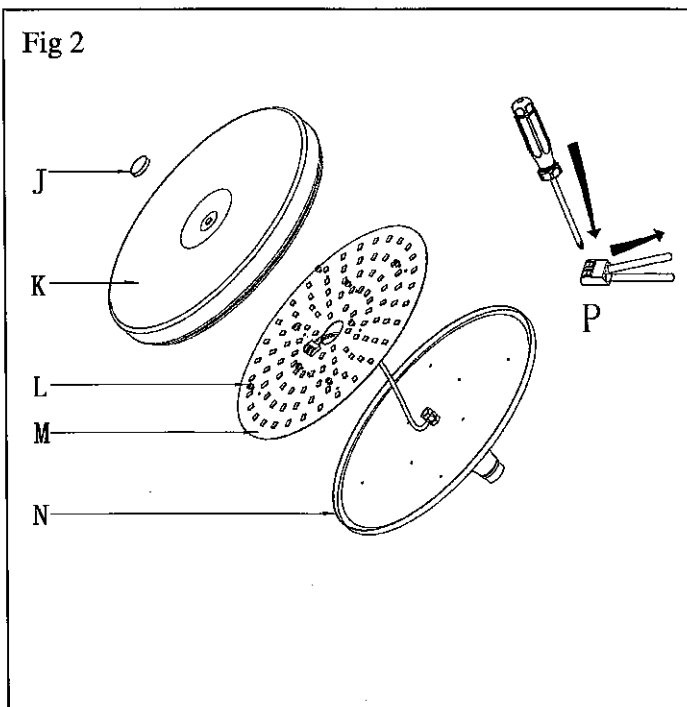
This plug will fit in a polarized outlet only one way. If the plug does not fit fully in the outlet, reverse the plug. If it still does not fit, contact a qualified electrician. Never use with an extension cord unless plug can be fully inserted. Do not alter the plug.

Replacing LED module (Fig. 2)

The LED module can be replaced by a qualified electrician without cutting of wire and without damage to any decorative element to which the fixture is attached. See installation steps for more details (Fig 3.)

- a. Shut off power, remove finial (J) shade PS950 (K).
- b. Press the button (P) with screw driver to disconnect the LED module wire.
- c. Remove screws (L) washers on LED PCB board (M). Carefully remove the LED module from bracket (N).
- d. Reverse steps a-c for installing the new LED module.
- e. Note: The LED module should be provided by a specified supplier.
- f. For better heat dissipation the LED module (I) should be applied with thermal grease when re-lamping.

Fig 2



IMPORTANT: Fixture should be installed by a qualified electrician to ensure proper wiring and installation.

