

Turbo Wall

7000WTUR_ 1.1



GENERAL PRODUCT INFORMATION:

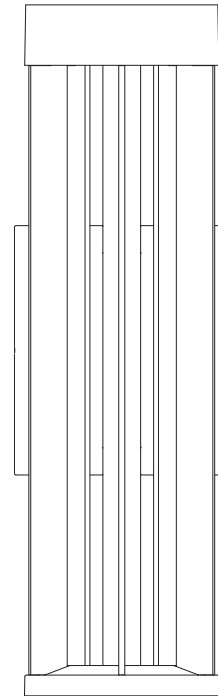


These fixtures are intended to be installed utilizing NEC compliant junction boxes.

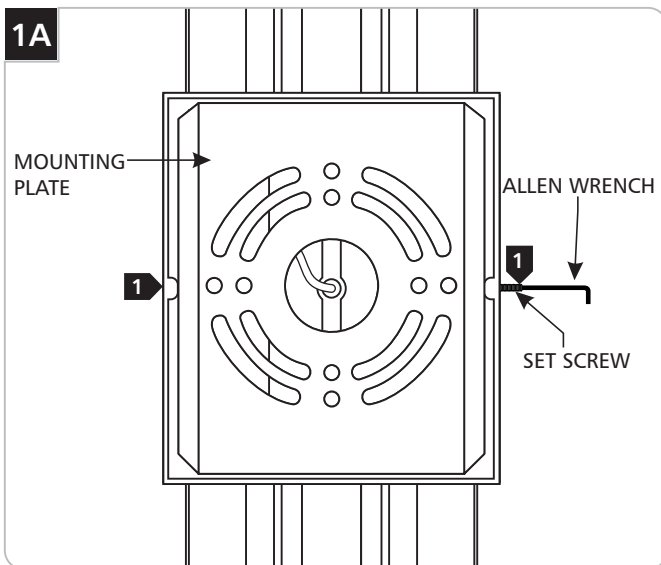
This product may be dimmed with a low-voltage electronic dimmer or a 0-10V dimmer depending on the wiring configuration.

Suitable for wet locations.

CAUTION - RISK OF FIRE
 This product must be installed in accordance with the applicable installation code by a person familiar with the construction and operation of the product and the hazards involved.
 Use minimum 90°C supply conductors.

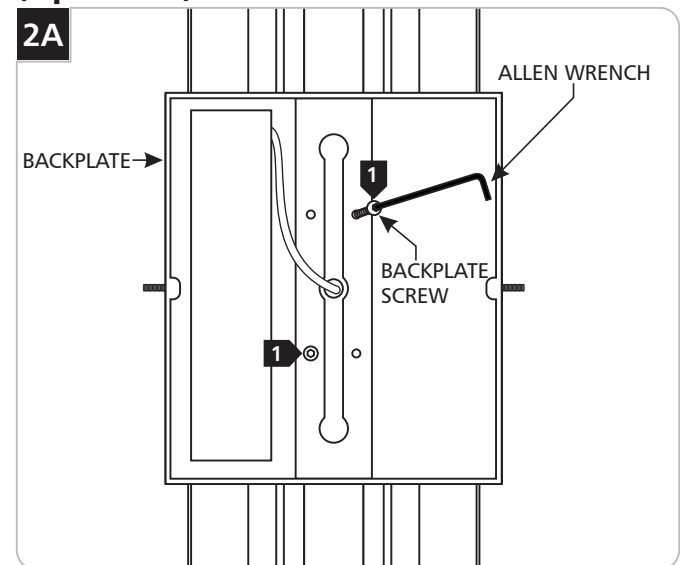


Prepare the Fixture

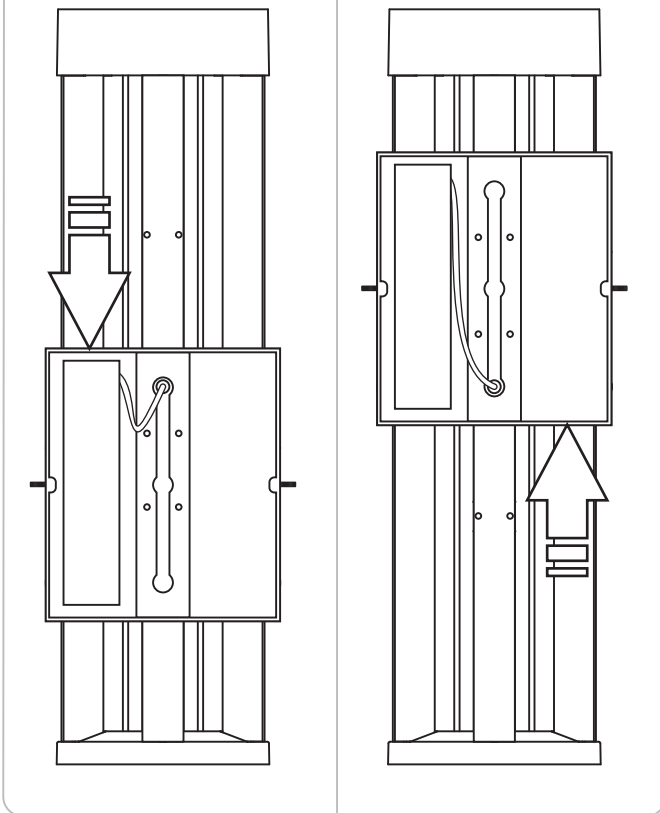


- 1** With the provided Allen wrench, back out (do not fully remove) the set screws on both sides of the fixture.
- 2** Remove the mounting plate from the back of the fixture.

Adjust the Position of the Backplate (optional)

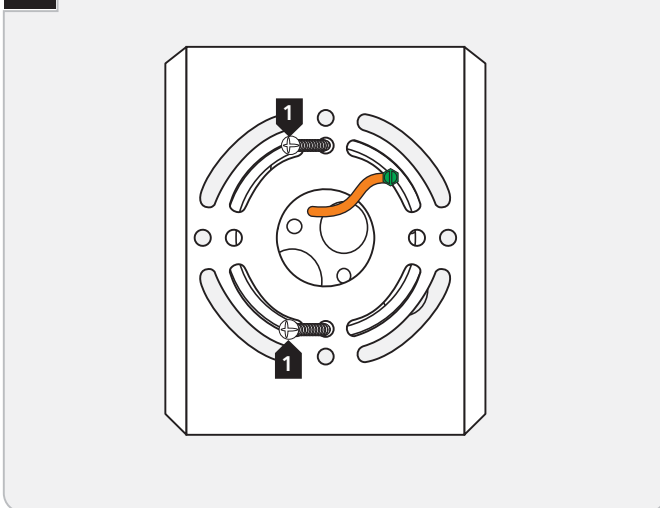


- 1** While holding the backplate in place, remove the backplate screws with the provided Allen wrench.

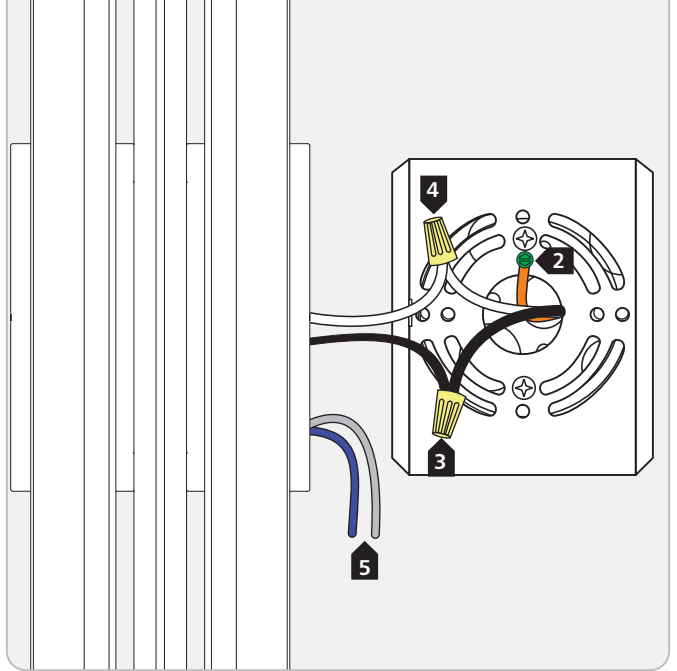
2B

- Slide the backplate either up or down until the backplate screw holes are aligned.
- Make sure that the gasket behind the backplate is in place and reinstall the mounting plate screws tightly in place.

Install the Fixture

3A

- Attach the mounting plate to the electrical box using the two provided #8-32 screws.

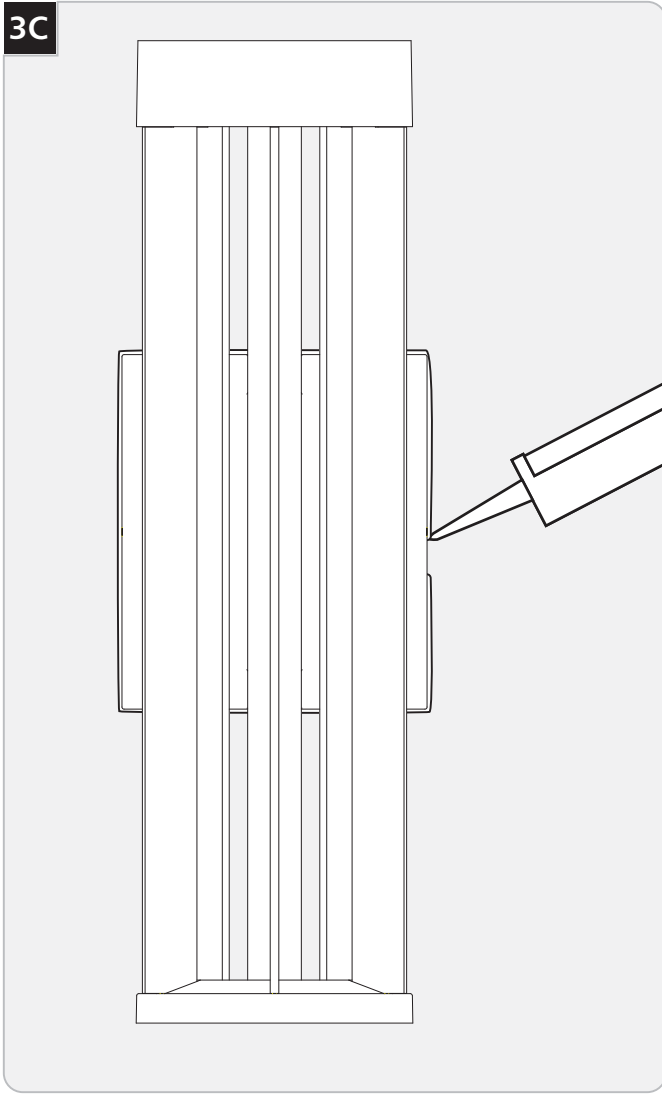
3B

- Connect the mounting plate ground wire to a suitable ground in accordance with local electrical codes.
- Connect the black fixture wire to the hot power line wire with a wire nut.
- Connect the white fixture wire to the neutral power line wire with a wire nut.
- Use the gray and purple dimming wires for 0-10v dimming application (if not in use, make sure to cap these wires off).
- Properly place all wires and wire nut connections into the electrical box.
- Mount the fixture by installing it back onto the mounting plate and reinstalling the fixture screws (reversal of figure 1A).

Warning: The purple and gray wires are only used for 0-10v dimming. For all other applications, do not connect the gray and purple wires.

Note for In-Line Fuse equipped fixtures: in the case that the fixture is not operating correctly, make sure to check the fuse.

3C



8 For wet locations, caulk around the base with waterproof construction sealant.

SAVE THESE INSTRUCTIONS!



TECH LIGHTING®

7400 Linder Ave, Skokie, IL 60077

847.410.4400

www.techlighting.com

© 2017 Tech Lighting, L.L.C. All rights reserved. The "Tech Lighting" graphic is a registered trademark of Tech Lighting, L.L.C. Tech Lighting reserves the right to change specifications for product improvements without notification.

A Generation Brands Company