

# Pathway and Bollards

1.4

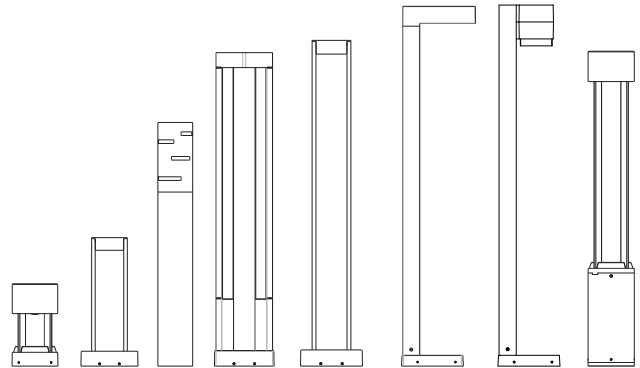


## GENERAL PRODUCT INFORMATION:

This product is suitable for wet locations.

Pathway models are 12VAC input only.

Refer to product specsheet for dimming information.



### For low-voltage pathway luminaires:

**WARNING** – Risk of Electric Shock. Install all luminaires 10 feet (3.05 m) or more from a pool, spa, or fountain.

Unit low voltage cable is to:

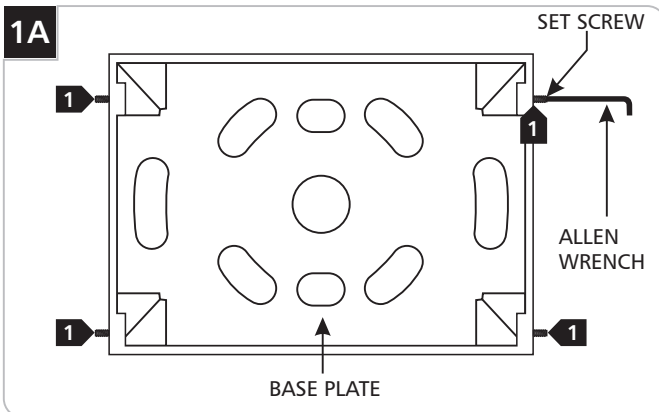
- a) be protected by routing in close proximity to the luminaire or fitting, or next to a building structure such as a house or deck;
- b) not be buried except for a maximum 6 inches (15.2 cm) in order to connect to the main low voltage cable; and
- c) have the length cut off so that it is connected to a connector within 6 inches (15.2 cm) from a building structure, a luminaire, or fitting.

### CAUTION - RISK OF FIRE

This product must be installed in accordance with the applicable installation code by a person familiar with the construction and operation of the product and the hazards involved.

Use minimum 90°C supply conductors.

## Prepare the Fixture



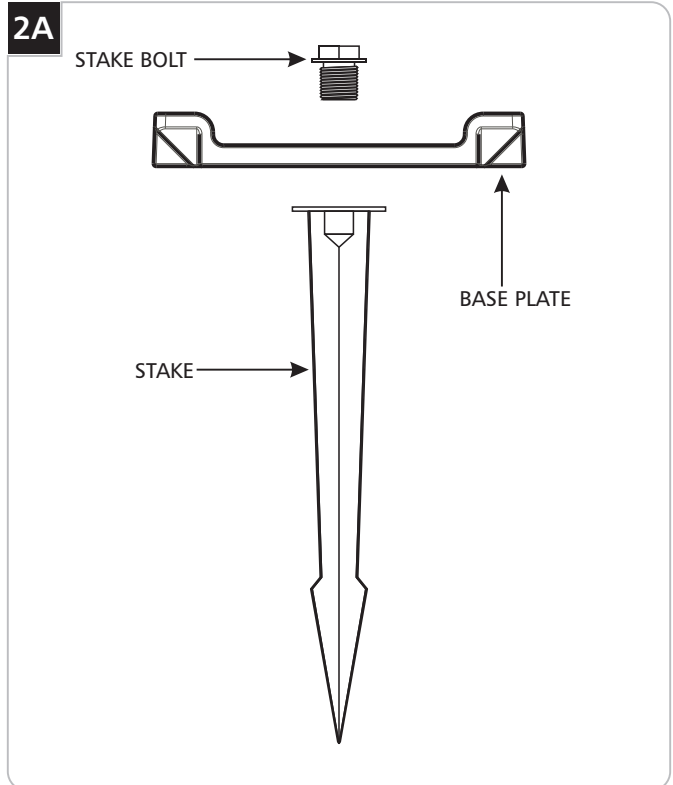
- 1 Loosen (Do Not Remove) the four set screws on fixture base with the provided Allen wrench and remove the base plate.

### INSTALLATION OPTIONS:

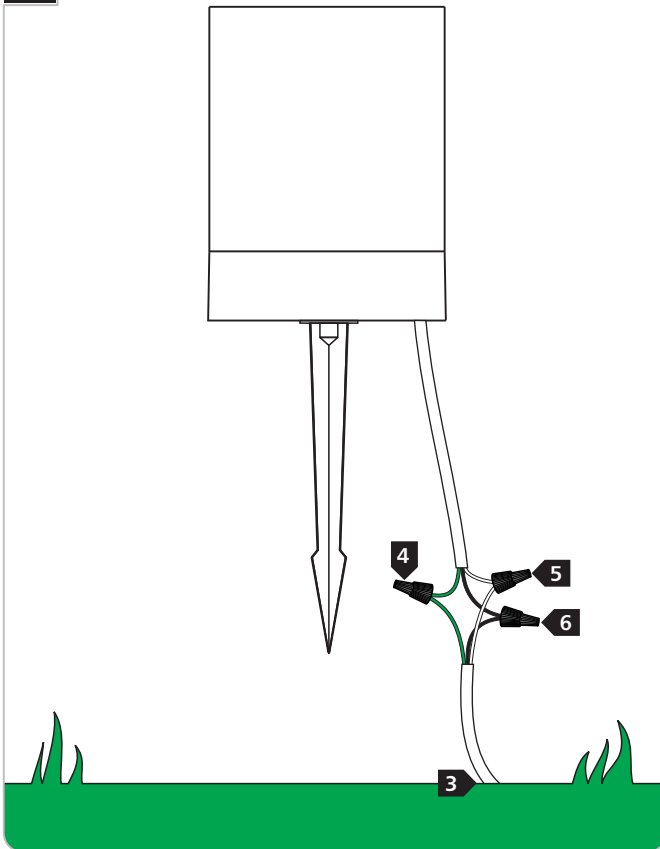
For Stake Install - see section 2

For Concrete and other Hard Surfaces - see section 3

## Install the Fixture using a Stake (Pathway Models Only)



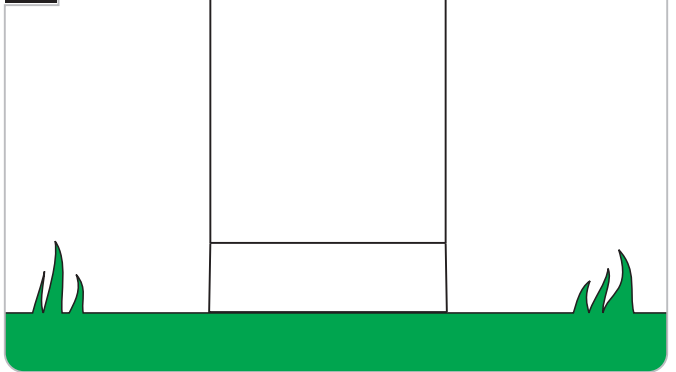
- 1 Attach the stake to the base plate by tightly screwing down the provided stake bolt through the center hole of the base plate and the stake.
- 2 Reattach the base plate assembly to fixture and tighten down the set screws (reversal of Section 1A).

**2B**

- 3** Bring the power wires to the fixture location in accordance with local electrical codes.
- 4** **Line-voltage only:** connect the fixture to a suitable ground in accordance with local electrical codes.
- 5A** **Line-voltage:** Connect the white fixture wire to the neutral power line wire with the provided outdoor waterproof wire nut.
- 5B** **Low-voltage:** Connect the white fixture wire to one of the low-voltage power line wire with the provided outdoor waterproof wire nut.
- 6A** **Line-voltage:** Connect the black fixture wire to the hot power line wire with the provided outdoor waterproof wire nut.
- 6B** **Low voltage:** Connect the black fixture wire to the remaining low-voltage power line wire with the provided outdoor waterproof wire nut.

**Note for In-Line Fuse equipped fixtures:** in the case that the fixture is not operating correctly, make sure to check the fuse.

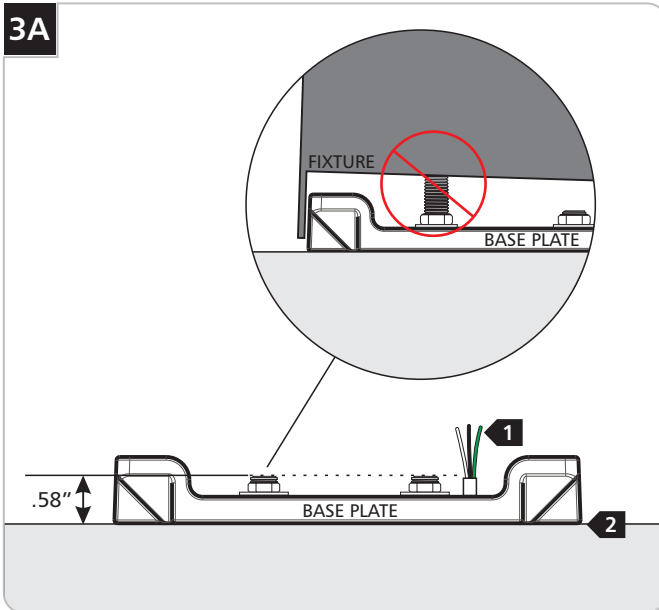
**Note for Photocell equipped fixtures:** at initial power up, the photocell must calibrate which will cause the fixture to cycle on/off for a moment.

**2C**

- 7** Stake the fixture to the desired location and properly bury the wire and wire nut connections.

## Install the Fixture to Concrete (or other hard surfaces)

3A

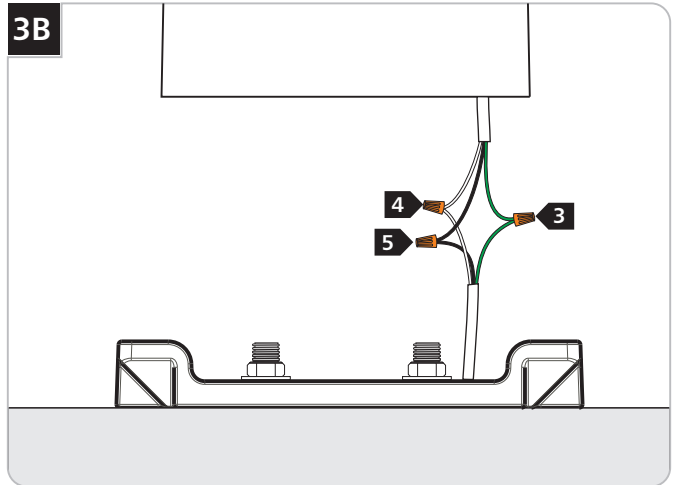


**Warning:** the mounting plate placement is off-center in relation to the center of the fixture on some models. Make sure to place the fixture in the desired location and determine the correct mounting plate placement before installing the mounting plate.

- 1 Bring the power wires to the fixture location in accordance with local electrical codes.
- 2 Mount the base plate to an even and smooth surface using the appropriate template, which can be found on the following pages. Ensure that length of the lag bolts or anchor bolts do not exceed .58" from the mounting surface in order to leave enough clearance for the fixture to fit properly over the base plate.

**Note:** the slots and thru holes on the plate may be used for mounting purposes.

3B



- 3 Bring the power wires to the fixture location in accordance with local electrical codes.
- 4 **Line-voltage only:** connect the fixture to a suitable ground in accordance with local electrical codes.
- 5 Connect the white fixture wire:
  - a **Line-voltage:** Connect the white fixture wire to the neutral power line wire with the provided outdoor waterproof wire nut.
  - b **Low-voltage:** Connect the white fixture wire to one of the low-voltage power line wire with the provided outdoor waterproof wire nut.
- 6 Connect the black fixture wire:
  - a **Line-voltage:** Connect the black fixture wire to the hot power line wire with the provided outdoor waterproof wire nut.
  - b **Low voltage:** Connect the black fixture wire to the remaining low-voltage power line wire with the provided outdoor waterproof wire nut.
- 7 **Line-voltage only:** use the gray and purple dimming wires for 0-10v dimming application (if not in use, make sure to cap these wires off).

**Warning:** The purple and gray wires are only used for 0-10v dimming. For all other applications, do not connect the gray and purple wires.

**Note for In-Line Fuse equipped fixtures:** in the case that the fixture is not operating correctly, make sure to check the fuse.

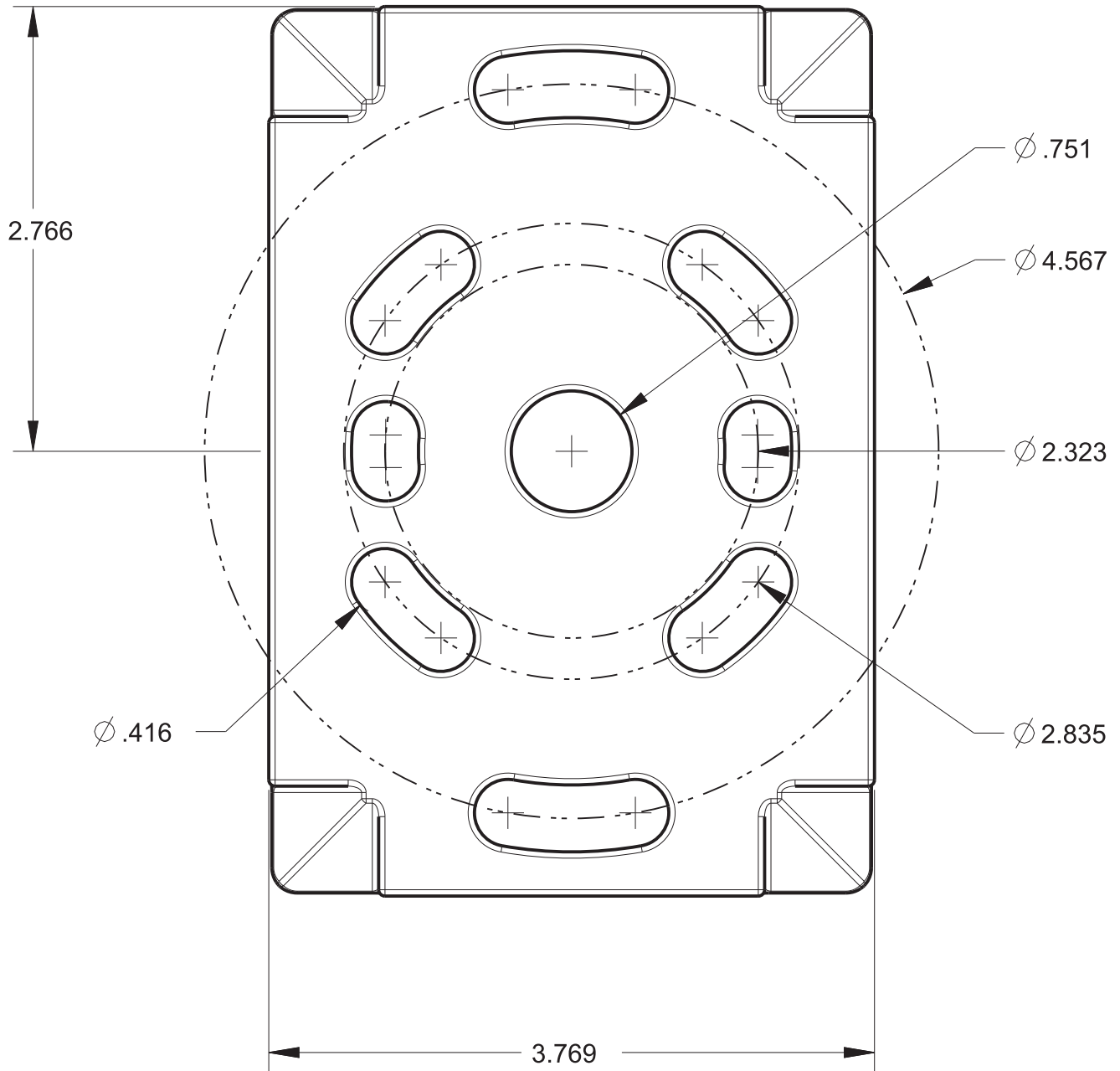
**Note for Photocell equipped fixtures:** at initial power up, the photocell must calibrate which will cause the fixture to cycle on/off for a moment.



# RECTANGULAR MOUNTING PLATE TEMPLATE

**WARNING:** If printing this template, ensure printer settings are set to actual size.

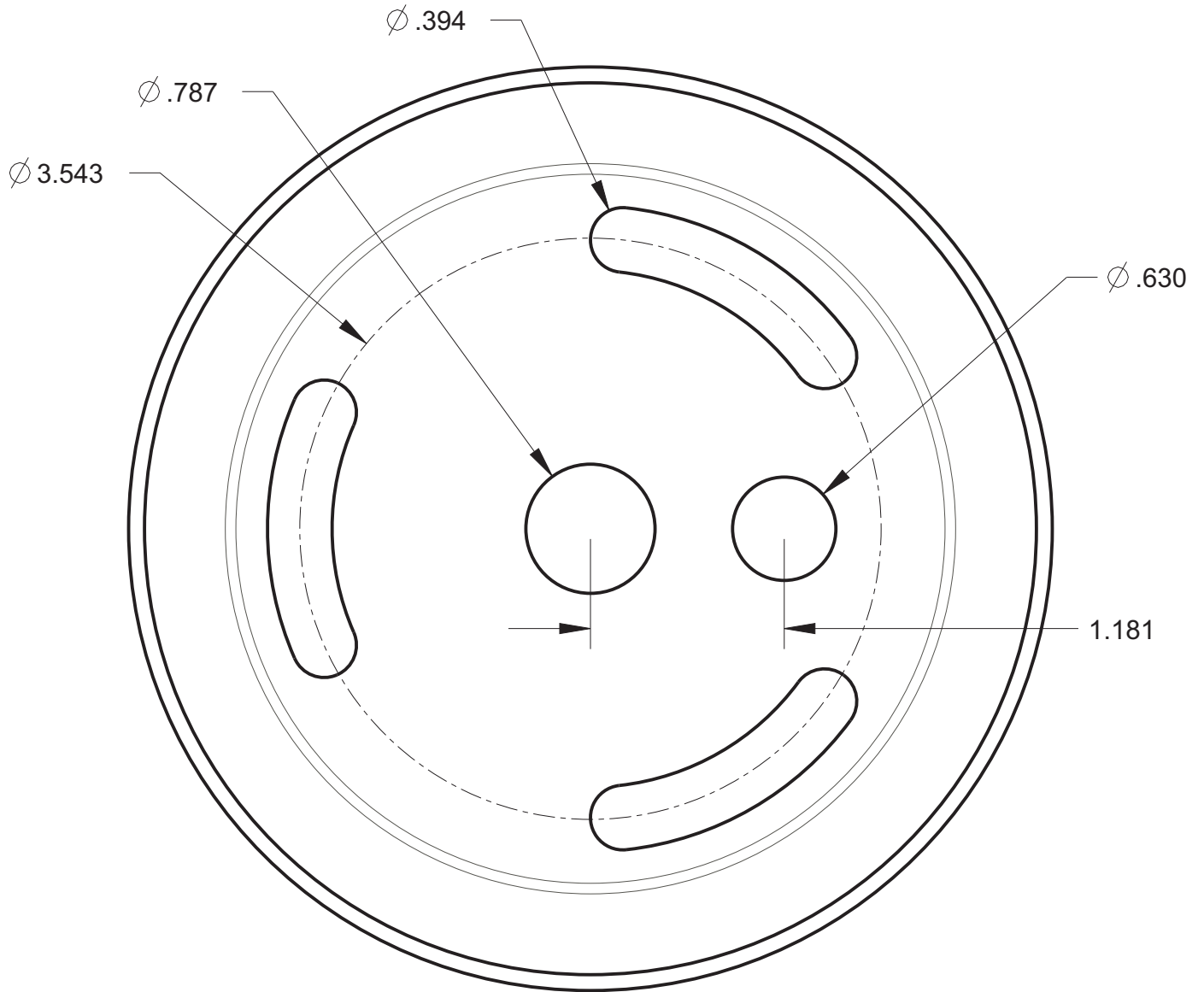
**NOTE:** the slots and thru holes may be used for mounting purposes.



# TURBO PATHWAY MOUNTING PLATE TEMPLATE

**WARNING:** If printing this template, ensure printer settings are set to actual size.

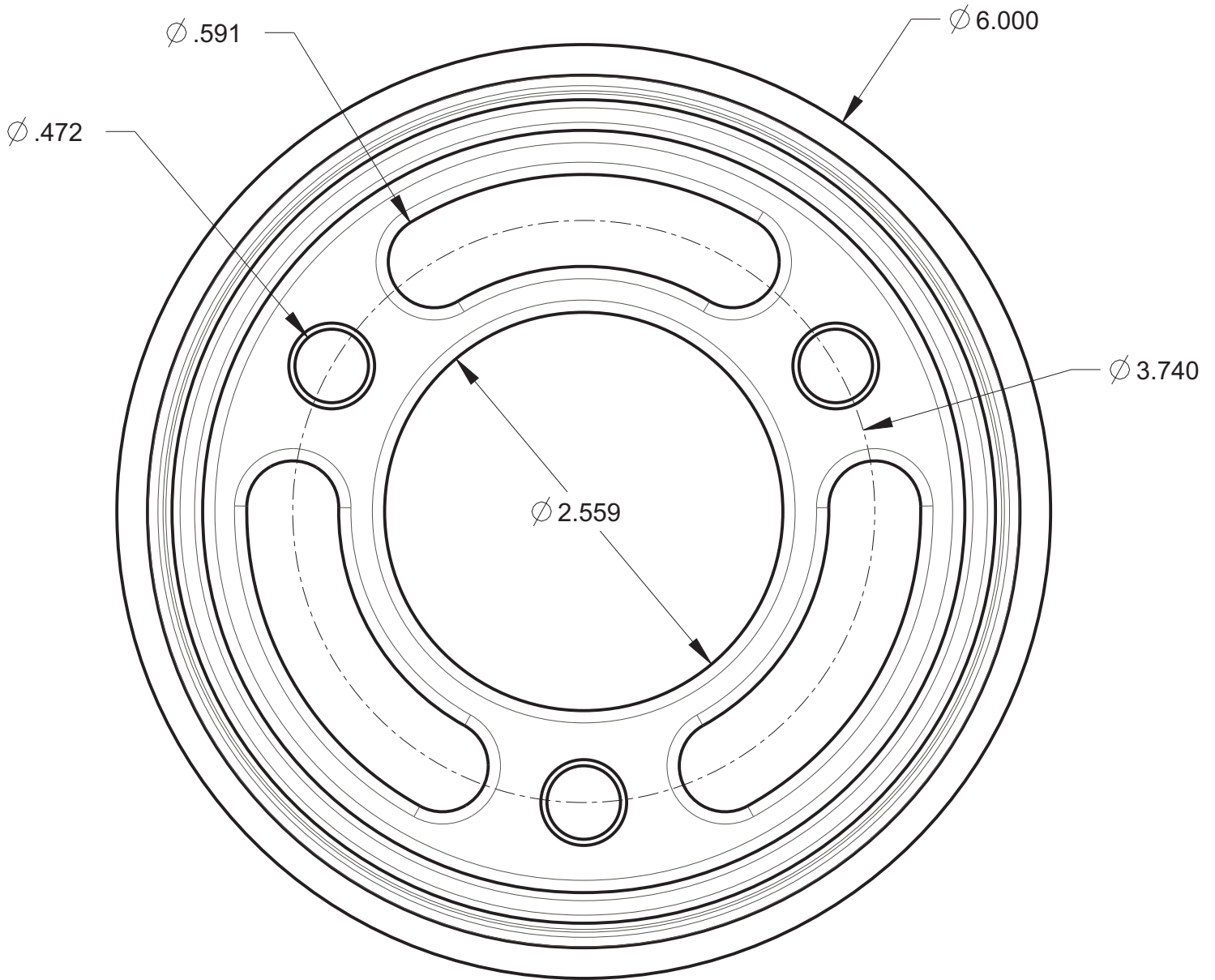
**NOTE:** the slots and thru holes may be used for mounting purposes.



# TURBO BOLLARD MOUNTING PLATE TEMPLATE

**WARNING:** If printing this template, ensure printer settings are set to actual size.

**NOTE:** the slots and thru holes may be used for mounting purposes.



**SAVE THESE INSTRUCTIONS!**



**TECH LIGHTING®**

7400 Linder Ave, Skokie, IL 60077

847.410.4400

**[www.techlighting.com](http://www.techlighting.com)**

© 2019 Tech Lighting, L.L.C. All rights reserved. The "Tech Lighting" graphic is a registered trademark of Tech Lighting, L.L.C. Tech Lighting reserves the right to change specifications for product improvements without notification.

A Generation Brands Company