

Pablo®

# TUBE TOP PENDANT

**120V ASSEMBLY & INSTALLATION INSTRUCTIONS**

INFO@PABLODESIGNS.COM  
888 MARIN STREET  
SAN FRANCISCO, CA  
94124

PABLODESIGNS.COM



APPROVED COMPONENTS

# TUBE TOP PENDANT

1. CUT CORD TO DESIRED LENGTH
2. LOOSEN STRAIN RELIEF CAP AND FEED CORD THROUGH
3. TIGHTEN STRAIN RELIEF AND ATTACH MOUNTING PLATE TO JUNCTION BOX
4. CONNECT TO BUILDING WIRING
5. SLIDE COVER UP TO CEILING

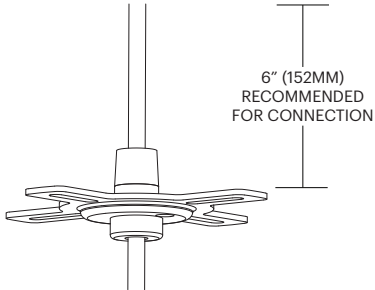
**BULB TYPE**  
TTP 7: 1X 57W BT - 15/120V HALOGEN

**CORD LENGTH**  
10FT (305CM)



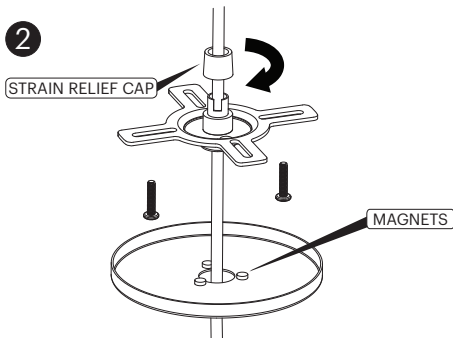
**CARE INSTRUCTIONS**  
WIPE CLEAN WITH A SOFT DAMP CLOTH.  
AVOID AMMONIA-BASED CLEANERS.

1

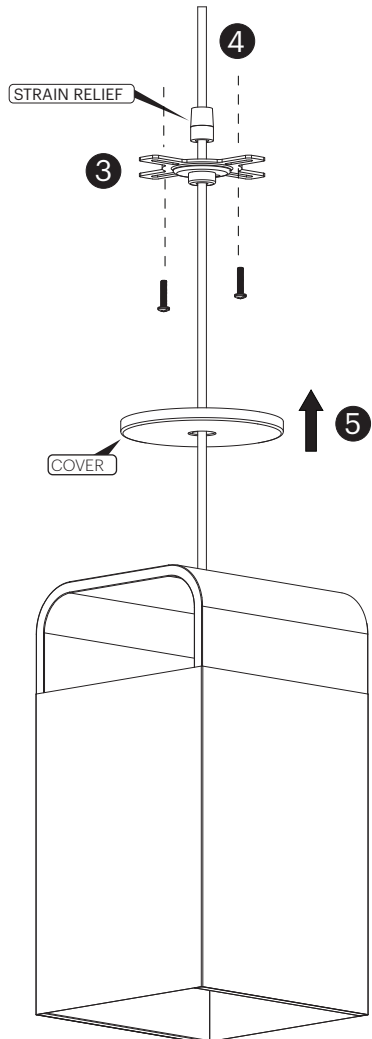


**NOTE: BEFORE CUTTING, WRAP CORD WITH ELECTRICAL TAPE TO PREVENT THE FABRIC SLEEVE FROM FRAYING**

2



**IMPORTANT: WE RECOMMEND CEILING MOUNTING BE INSTALLED BY AN ELECTRICIAN**

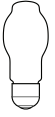


# TUBE TOP PENDANT

1. LAYOUT MOUNTING LOCATIONS FOR CABLE SUSPENSION KIT
2. INSTALL CABLE SUSPENSION KIT
3. HANG LAMP BODY BY INSERTING CABLES INTO CABLE LOCKS.  
DEPRESS NIPPLE ON CABLE LOCK TO ADJUST TO DESIRED HEIGHT
4. ATTACH MOUNTING PLATE TO JUNCTION BOX
5. FEED CORD THROUGH COVER AND MOUNTING PLATE; CUT THE CORD PROVIDING 1" (25.5MM) TO 2" (50.8MM) SWAG
6. CONNECT TO BUILDING WIRING
7. SLIDE COVER UP TO CEILING
8. TRIM EXCESS CABLE WITH WIRE CUTTERS

**BULB TYPE**

TTP 14: 2X 57W BT - 15/120V HALOGEN  
TTP 18: 2X 57W BT - 15/120V HALOGEN  
TTP 36: 4X 95W BT - 15/120V HALOGEN



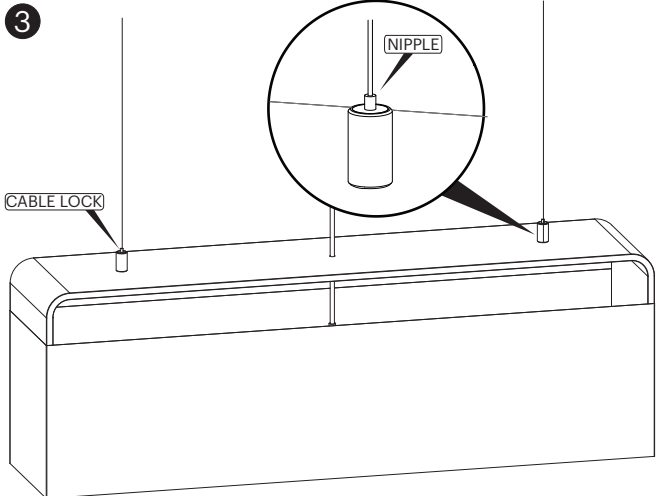
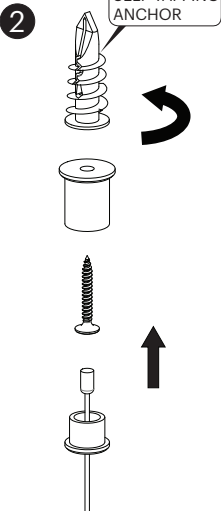
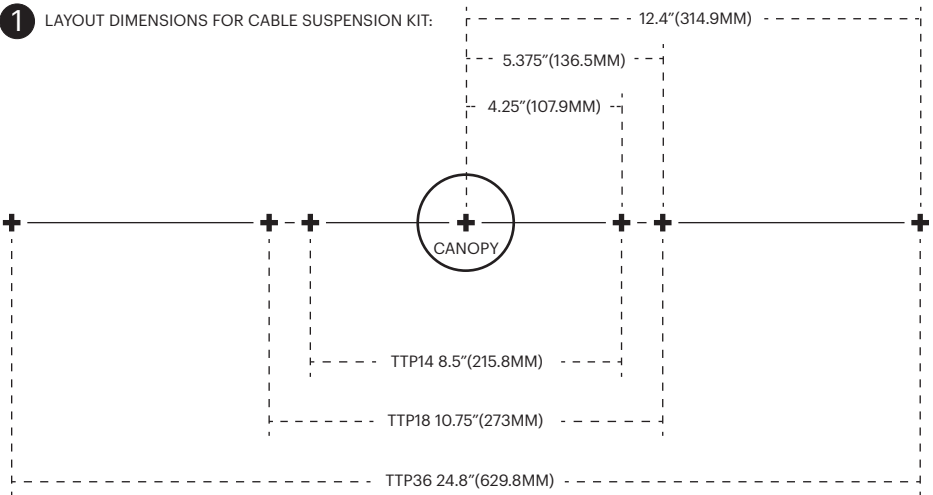
**CORD LENGTH**

10FT (305CM)

**CARE INSTRUCTIONS**

WIPE CLEAN WITH A SOFT DAMP CLOTH.  
AVOID AMMONIA-BASED CLEANERS.

**1** LAYOUT DIMENSIONS FOR CABLE SUSPENSION KIT:

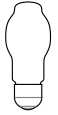


# TUBE TOP PENDANT

1. LAYOUT MOUNTING LOCATIONS FOR CABLE SUSPENSION KIT
2. INSTALL CABLE SUSPENSION KIT
3. HANG LAMP BODY BY INSERTING CABLES INTO CABLE LOCKS.  
DEPRESS NIPPLE ON CABLE LOCK TO ADJUST TO DESIRED HEIGHT
4. ATTACH MOUNTING PLATE TO JUNCTION BOX
5. FEED CORD THROUGH COVER AND MOUNTING PLATE; CUT THE CORD PROVIDING 1" (25.5MM) TO 2" (50.8MM) SWAG
6. CONNECT TO BUILDING WIRING
7. SLIDE COVER UP TO CEILING
8. TRIM EXCESS CABLE WITH WIRE CUTTERS

**BULB TYPE**

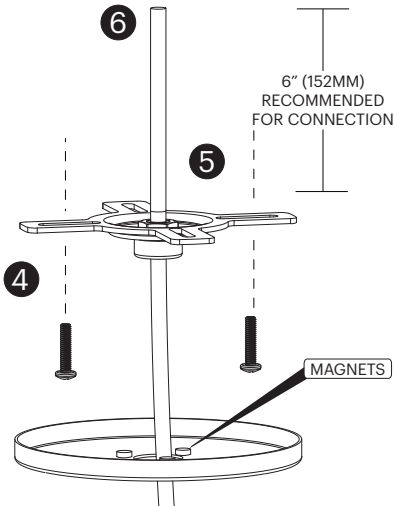
TTP 14: 2X 57W BT - 15/120V HALOGEN  
TTP 18: 2X 57W BT - 15/120V HALOGEN  
TTP 36: 4X 95W BT - 15/120V HALOGEN



**LENGTH OF CORD SUPPLIED**  
10FT (305CM)

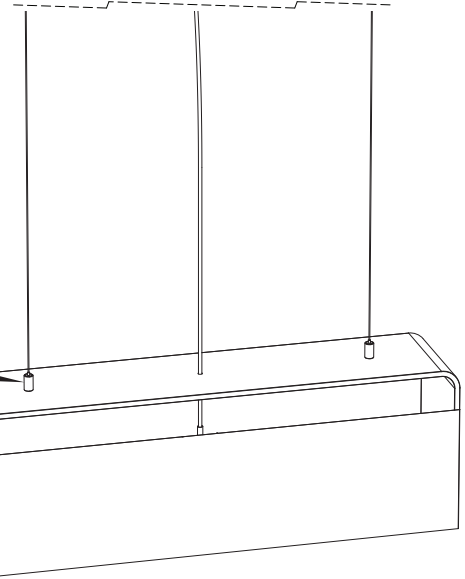
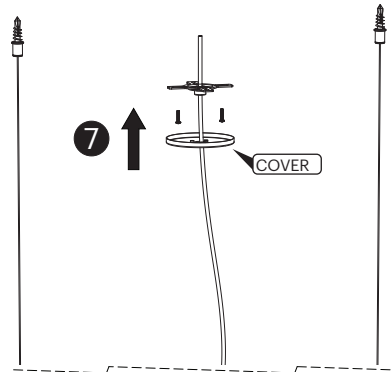
**CARE INSTRUCTIONS**

WIPE CLEAN WITH A SOFT DAMP CLOTH.  
AVOID AMMONIA-BASED CLEANERS.



NOTE: BEFORE CUTTING, WRAP CORD WITH ELECTRICAL TAPE TO PREVENT THE FABRIC SLEEVE FROM FRAYING

**IMPORTANT: WE RECOMMEND CEILING MOUNTING BE INSTALLED BY AN ELECTRICIAN**



NOTE: CUT THE CABLE FLUSH TO THE BOTTOM OF THE CABLE LOCK AND THEN LOWER THE LAMP TO HIDE THE EXPOSED CABLE END