

! WARNING

**DISCONNECT POWER BEFORE RELAMPING OR WIRING THE FIXTURE
READ ALL INSTRUCTIONS COMPLETELY BEFORE STARTING INSTALLATION.**

! CAUTION

- TO AVOID THE RISK OF FIRE OR SHOCK, FIXTURE MUST BE INSTALLED IN COMPLIANCE WITH ALL APPLICABLE NATIONAL AND LOCAL ELECTRICAL/BUILDING CODES.
- INSTALLATION AND MAINTENANCE OF THIS UNIT REQUIRES AN ELECTRICIAN OR CERTIFIED FACTORY TRAINED TECHNICIAN.
- If an existing fixture is being replaced, remove it and note to which of the wires in the outlet box the fixture was attached. DO NOT SEPARATE ANY OTHER WIRES THAT MAY BE IN THE BOX. DO NOT DAMAGE THE INSULATION OF OLDER WIRING. In regular circumstances the BLACK wire will be the "Hot" lead and the WHITE wire will be the "Neutral" or "Common" lead A GREEN or BARE COPPER wire is the "Ground". In older buildings it is always good practice to reconfirm the polarity of the wiring.

NOTICE

- The important safeguards and instructions outlined on this sheet cannot cover all possible conditions and situations that may occur. It must be understood that common sense, caution and care factors that cannot be built into any product. Caution and care must be supplied by the person(s) installing, operating and caring of this lighting fixture.
- This fixture is design to be mounted on a correctly installed standard round or octagon box or a through wiring box with a plaster frame. The box must be securely mounted to the structure of the building. The crossbar and hardware supplied should be used. Directly mounting the fixture to the outlet box may make it impossible to correctly align the fixture.
- For your safety, be certain that the circuit breakers controlling outdoor lighting and equipment be GFI breakers.

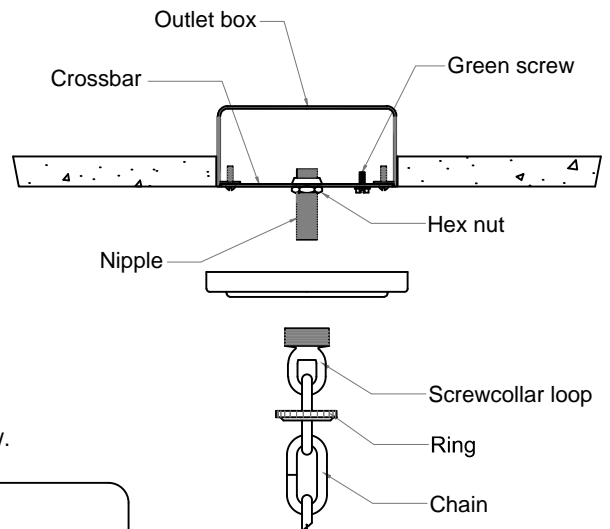
FIXTURE PREPARATION

1. Remove the fixture, shades, crystals and parts bag(s) from the carton.

NOTICE:
Before discarding the carton,
double check to make certain that all parts are found .

FIXTURE INSTALLATION

1. Attach the crossbar to the outlet box.
(The green screw should face the floor)
2. Remove the threaded ring from the screwcollar loop.
Fully thread the loop onto the nipple and tighten the set screw.
Thread the hex nut onto the nipple and the nipple into the crossbar.
Place the canopy over the nipple and against the ceiling.
Adjust the nipple so that $\frac{1}{4}$ " of threads extend beyond the canopy.
Tighten the hex nut against the crossbar. Using the ring, install the canopy.



! WARNING

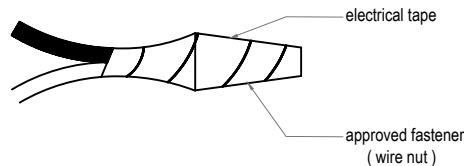
The use of chain pliers for opening and closing links of chain is required.
The use of tools other than chain pliers may damage the chain link resulting in a failure which can cause harm to the fixture, property, and/or person(s).

3. Open end links of chain and attach the chain to the screw collar loop. Assemble the lower ring to the upper ring with the chains provided. Hang the fixture on the chain at the desired height. Remove excess chain. Unscrew the threaded ring. Allow the ring and canopy to slide down the chain to the fixture.
4. Thread the lead wires and ground wire (first) through the threaded ring, then the canopy and up through alternating links of the chain until the ceiling is reached.
5. Measure 6" of lead wire beyond the top of the chain. Cut off the excess wire. Strip the insulation off the ends of the leads exposing approximately $\frac{1}{2}$ " of wire. Twist the strands of wire together. Push the leads and ground wire up through the screw collar loop and nipple and into the outlet box.
6. Fasten the ground wire to the green or bare copper wire in the outlet box or the green screw on the crossbar.

! WARNING

**Never fasten the ground wire to the black or "hot" wire!
Failure to follow this instruction could result in serious injury or death!**

7. Fasten the fixture lead with the ridge(s) to the white wire in the outlet box. Fasten the wires together with an approved fastener (wire nut). Starting about 1" below the fastener, tightly wrap the connection with electrical tape so that the tape seals the end of the fastener.



! WARNING

Make sure that there is no exposed wire or strands that could cause a dangerous short circuit!

8. Connect the smooth fixture lead to the black wire in the outlet box.
9. Install the lamps (light bulbs).
NOTE: This fixture is rated for 60 watt type B , BA, C or CA lamps. (This fixture includes 40 W early electric lamps.)

! WARNING

DO NOT EXCEED RECOMMENDED WATTAGE!

10. Restore power to circuit at breaker or fuse box.
11. For bulb replacement : Turn off the power switch and follow step no. 9,10 & 11.

