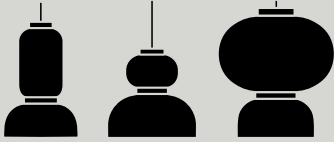


## Instructions



# Formakami JH3 – JH5

## Jaime Hayon

### 2015

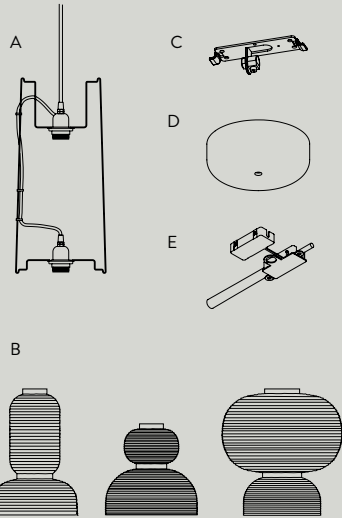
---

Congratulations with your new Formakami lamp, designed in 2015 by Jaime Hayon. We hope you will enjoy using this product and follow these instructions to ensure correct installation. If you have any questions or comments, please do not hesitate to contact us by mail on:

[info@andtradition.com](mailto:info@andtradition.com)

Formakami JH3 – JH5  
Jaime Hayon  
2015

Please read these instructions carefully and retain them for future reference to ensure that the product is used correctly. For your own safety, please study each step of this instruction manual first. &Tradition is not responsible for any faults or damages caused by not following these instructions correctly. Do not modify this product in any way.



**Contents**

- A Frame
- B Lamp shade (1 x shade included)
- C Ceiling bracket
- D Plastic canopy
- E Connection box

**Tools needed**

- Small flat headed screwdriver

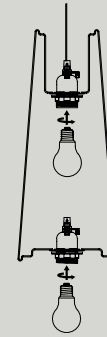
**Safety precautions**

- Dispose plastic bag from packaging and do not allow children to play with it.
- Keep product well out of children's reach.
- The lamp is only intended for interior use.
- Do not attempt installation of product if you are not competent to do so yourself.
- Consult a professionally qualified electrician if in any doubt.
- Disconnect the electricity supply at the fuse box, before commencing work.
- If the external cable or cord of this lamp is damaged, it must be replaced by the manufacturer or a similar qualified person in order to avoid a hazard.

**Cleaning instructions**

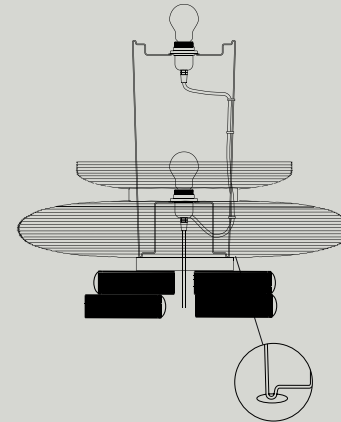
- Wipe surface of the lamp shade with a soft duster, or very gentle with a soft dry cloth.
- Do not use any abrasive cleaning tools such as steel wool, scouring sponges or stiff brushes.
- Never use liquids to clean the shade.

For indoor use only  
E27 maximum 60W  
Bulbs not included



**Step 1**

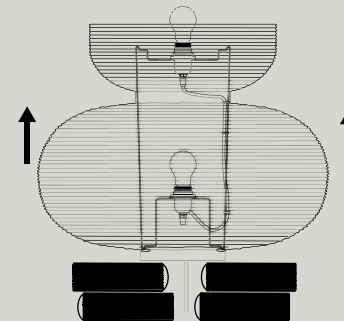
Insert the light bulbs.



**Step 2**

Place the shade up-side-down on a raised surface allowing for a gap to pass the cable through.

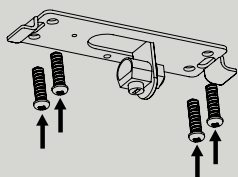
Then place the top of the frame through the bottom of the shade and into the metal hoops connected to the top of the pendant.



**Step 3**

Carefully pull the shade up over the rest of the frame and hook it into the secondary set of hoops.



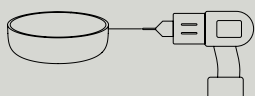


#### Step 4

Ensure power supply is turned off and remove any existing lamp fitting.

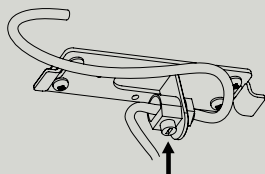
Locate the supply cable and ensure it is ready to be fitted to the connector block.

Mount the metal bracket (C) securely in the ceiling with screws and wall plugs, appropriate for the ceiling of installation.



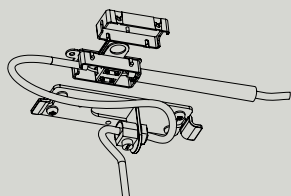
#### Step 5

Drill a hole into the side of the canopy and pull electric cord through it



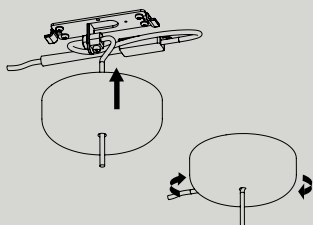
#### Step 6

To determine the right suspension height for the lamp, pass the electrical cord through the strain relief of the metal bracket (C). When you have the desired suspension height of the lamp, tighten the plastic screw of the strain relief.



#### Step 7

Use the terminal box inside the connection box (E) to assemble the wires from the pendant with the wires from the power supply. Close the connection box and place it inside the canopy.



#### Step 8

Install the plastic canopy onto the metal bracket.

Once the pendant is in place, carefully stretch and adjust the bottom shade to make sure the paper is fully folded out.