

INSTALLATION INSTRUCTIONS

For item#72631-143C (New. 12/11/2017)
READ AND SAVE THESE INSTRUCTIONS

WARNING! SHUT POWER OFF AT FUSE OR CIRCUIT BREAKER.
AVERTISSEMENT! COUPER LE COURANT AU NIVEAU DES FUSIBLES OU DU DISJONCTEUR.

PREPARING FOR INSTALLATION (Fig. 1)

1. Shut off the power at the fuse box or circuit breaker. If necessary, remove the old fixture, including the mounting hardware.
2. Carefully unpack your new fixture, lay out all parts on a clear area. Be careful not to lose any small parts necessary for installation.
3. Thread the studs (B) into the pre-drilled holes of the circular strap (A), spaced the same distance apart as the holes in the back plate (D).
4. Attach the circular strap (A) to the outlet box using the mounting screws (C) (Size: #8-32N*L0.5"). The side of the circular strap (A) marked "GND" must face out.
5. Install the glass panel (G) into fixture body (F) and secure with the tabs provided.

CONNECTING THE WIRES (Fig. 2)

6. At this point, connect the fixture wires to outlet box wires as shown in Fig. 2, making sure that all wire connectors are secured. If your outlet box has a ground wire (green or bare copper), connect the fixture's ground wire to it. Otherwise, connect the fixture's ground wire directly to the circular strap (A) using the green screw provided. After wires are connected, tuck them carefully inside the outlet box.

COMPLETING THE INSTALLATION (Fig. 1)

7. Align back plate (D) onto studs (B) and secure with two ball nuts (E).
8. To prevent moisture from entering the outlet box and causing a shortage, use clear caulking (i.e. Indoor/Outdoor silicone sealant) to outline the outside of fixture back plate where it meets the wall leaving a space at the bottom to allow moisture a means to escape (Fig.3).
9. Install the light bulbs (H) (not included) in accordance with the fixture's specifications. **(DO NOT EXCEED THE MAXIMUM WATTAGE RATING!!) (NE PAS DEPASSER LA PUISSANCE NOMINALE MAXIMALE!)**

Your installation is now complete. Return power to the outlet box and test the fixture.

Note: Illustration (Fig. 1) on this manual is for installation purposes only. It may or may not be identical to the fixture purchased.

Fig.1

Set# A-020

- Circular Strap
- Ground Screw
- Mounting Screw*2

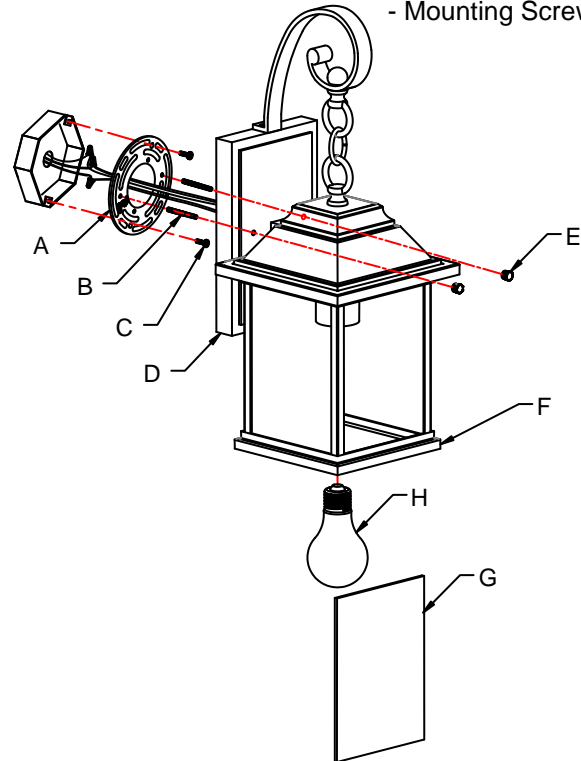


Fig.2

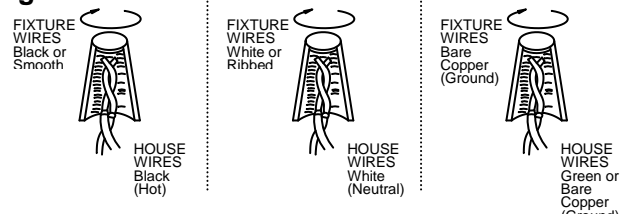
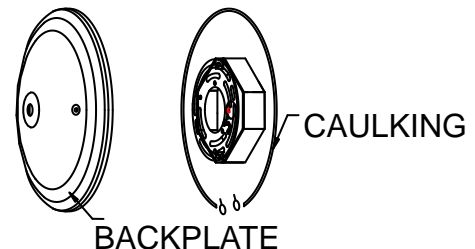


Fig. 3



LA-2896E



american lighting association