

INSTALLATION INSTRUCTION

For item#73066-246 (New. 12/11/2017)

READ AND SAVE THESE INSTRUCTIONS

WARNING! SHUT POWER OFF AT FUSE OR CIRCUIT BREAKER.

AVERTISSEMENT! COUPER LE COURANT AU NIVEAU DES FUSIBLES OU DU DISJONCTEUR.

PREPARING FOR INSTALLATION (Fig. 1)

1. Shut off the power at the fuse box or circuit breaker. If necessary, remove the old fixture, including the mounting hardware.
2. Carefully unpack your new fixture and lay out all parts on a clear area. Take care not to lose any small parts necessary for installation.

CONNECTING THE WIRES (Fig. 2)

3. Pull the black, white and ground wires out of the post.
4. While carefully supporting the fixture, connect the electrical wires as shown in Fig. 2. If your post has a ground wire (green or bare copper), connect the fixture's ground wire to it. If not, consult your electrician for proper grounding. After wires are connected, tuck them carefully inside the post (Fig 1 & 2).

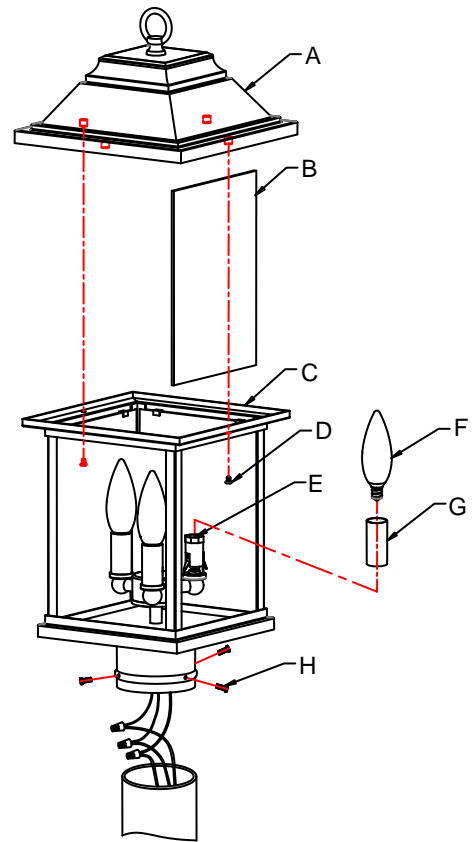
COMPLETING THE INSTALLATION (Fig. 1)

5. Align the lantern with the post and secure with screws (H).
6. Place the candle covers (G) over the sockets (E).
7. Install the light bulbs (F) (not included) in accordance with the fixture's specifications. **(DO NOT EXCEED THE MAXIMUM WATTAGE RATING!!) (NE PAS DEPASSER LA PUISSANCE NOMINALE MAXIMALE!)**
8. Install the glass panel (B) into fixture body (C) and secure with the tabs provided.
9. Put top cover (A) on the fixture body (C) and secure by using screw (D).

Your installation is now complete. Return the power to the outlet box and test the fixture.

Note: Illustration (Fig. 1) on this manual is for installation purposes only. It may or may not be identical to the fixture purchased.

Fig. 1



Candle Cover#CCV20048P-143C

Fig. 2

