

INSTALLATION INSTRUCTION

Item#8880-A39/A61 (New.05/10/2012)

READ AND SAVE THESE INSTRUCTIONS

WARNING! SHUT POWER OFF AT FUSE OR CIRCUIT BREAKER.
AVERTISSEMENT! COUPER LE COURANT AU NIVEAU DES FUSIBLES OU DU DISJONCTEUR.

MOUNTING THE BACKPLATE (Fig.1)

1. Shut off power at the fuse box or circuit breaker box. If necessary, remove the old fixture and all mounting hardware.
2. Secure the threaded nipple (C) into the crossbar (A). Note the length of nipple (C) into crossbar (A) may be adjusted.
3. Attach the crossbar (A) to the junction box with the junction box screws (B). The side of the Crossbar marked "GND" must face out. (Fig.1)

CONNECTING THE WIRES (Fig. 2)

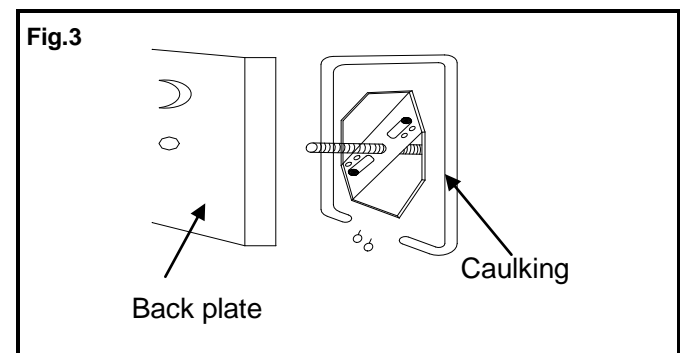
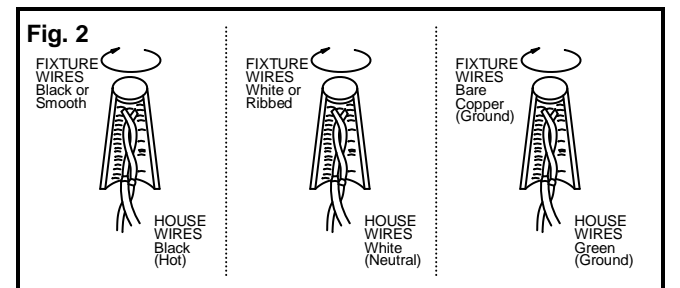
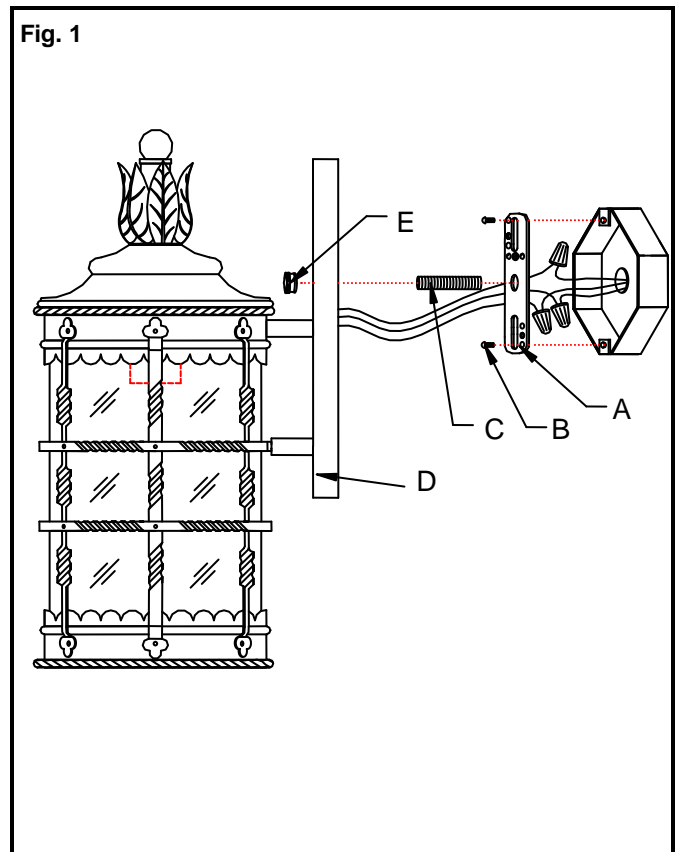
4. Connect the electrical wires as shown in Fig. 2 Making sure that all wire connectors are secured. If your junction box has a ground wire (green or bare copper), attach this wire and the bare copper wire from the fixture together. Otherwise, attach the bare copper fixture wire to the crossbar using the green screw provided.

MOUNTING THE FIXTURE (Fig.1)

5. Align fixture (D) to the nipple (C) and secure with knurled knobs (E) (Fig.1)
6. To prevent moisture from the outlet box and causing a short, use clear caulking (i.e. indoor/outdoor Silicone Sealant) to outline the outside off fixture back-plate where it meets the wall leaving a space at bottom to allow moisture a means to escape (Fig.3).
7. Install the A19 1*100W bulb (not included) in accordance with the fixture's specification. **(DO NOT EXCEED MAXIMUM WATTAGE RATING.) (NE PAS DEPASSER LA PUISSANCE NOMINALE MAXIMALE!)**

Your installation is now complete. Return power to the junction box and test the fixture.

Note: Illustration (Fig. 1) on this manual is for installation purposes only. It may or may not be identical to the fixture purchased.



LA-2059E