

INSTALLATION INSTRUCTIONS

Model # 73204-66

READ AND SAVE THESE INSTRUCTIONS

WARNING! SHUT POWER OFF AT FUSE OR CIRCUIT BREAKER.

AVERTISSEMENT! COUPER LE COURANT AU NIVEAU DES FUSIBLES OU DU DISJONCTEUR.

PREPARING FOR INSTALLATION (Fig. 1)

1. Shut off power at the fuse box or circuit breaker box and remove the old fixture including the mounting hardware.
2. Carefully unpack your new fixture and lay out all the parts in a clear area. Take care not to misplace any small parts necessary for installation.
3. Install all thread (G) into cross bar (E) and secure with hex nut (C) and washer (D). Attach cross bar (E) (part #:A-012) to outlet box (A) with outlet box screws (F) (size:8-32*1/2L). Note: the side of cross bar (E) marked "GND" must face out.
4. Attach canopy loop (I) to all thread (G). Note: The length of all thread (G) into the cross bar (E) may be adjusted if necessary.
5. Adjust chain (L) to the desired length by removing unneeded links. Attach one quick link (M) the end of chain (L) and then to fixture loop (N). Pass lock collar (J) followed by canopy (H) over the chain and allow them to rest carefully on the fixture loop (N). Attach the other quick link (K) to the other end of the chain and then to canopy loop (I).
6. Carefully pass fixture wires and bare ground wire through chain (L), lock collar (J), canopy loop (I) and all thread (G).

CONNECTION THE WIRES (Fig. 2)

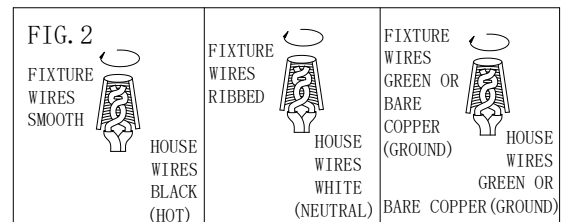
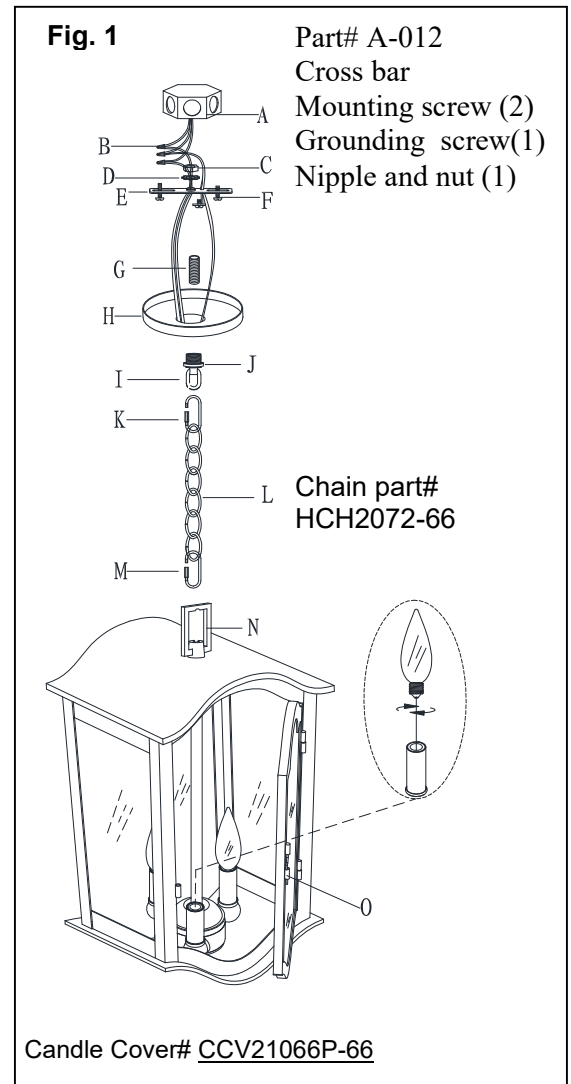
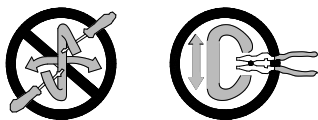
7. Connect the electrical wires as shown in Fig.2. Making sure that all wire connectors (B) are secured. If your outlet box (A) has a ground wire (green or bare copper), connect the fixture's ground wire to it. Otherwise, connect the fixture's ground wire directly to the cross bar (E) using the green screw provided.

FINISHING THE INSTALLATION (Fig.1)

8. Slide canopy (H) over all thread (G) and secure with lock collar (J).
9. Open the door (O). Install (3) three candelabra base bulbs up to 60 watts or CFL or LED equivalent (not included) in accordance with the fixtures specification. **(DO NOT EXCEED THE MAXIMUM WATTAGE RATING!) (NE PAS DEPASSER LA PUISSANCE NOMINALE MAXIMALE!)**

Your installation is now complete. Return power to the outlet box and test the fixture.

Notice:It is important to use proper chain pliers(not included) To OPEN and CLOSE the chain included with this fixture.Do not open them with other tools that may twist or stress the chain links. It is important to use proper chain pliers like the ones shown in the diagram.



IMPORTANT: FIXTURE SHOULD BE INSTALLED BY A QUALIFIED ELECTRICIAN TO ENSURE PROPER WIRING AND INSTALLATION.

