

# INSTALLATION INSTRUCTIONS

For Model 71222-143/71223-143

READ AND SAVE THESE INSTRUCTIONS

**WARNING! SHUT POWER OFF AT FUSE OR CIRCUIT BREAKER.**

**AVERTISSEMENT! COUPER LE COURANT AU NIVEAU DES FUSIBLES OU DU DISJONCTEUR.**

## HANGING THE FIXTURE (Fig. 1)

1. Shut off the power at the circuit breaker and remove the old fixture, including the mounting hardware.
2. Carefully unpack your new fixture and lay out all the parts on a clear area. **Be careful** not to lose any small parts necessary for installation.
3. Thread the 2 mounting screws (B) into the mounting plate (D) spaced the same distance apart as the holes in the fixture back plate. (You can adjust the length of the screws if necessary.)
4. Attach the mounting plate (D) to the outlet box (A) (not supplied) with mounting screws (C). (Size: #8-32\*0.78"L). GND must face out.
5. **Carefully take off the glass shade (H) by loosening two screws (G) and the bottom plate (F), install the bulb (E12-Candelabra base, not supplied) in accordance with the fixture's specification.**

## CONNECTING THE WIRES (Fig. 2).

6. Connect the electrical wires as shown in Fig.2. Making sure that all wire connectors are secured. If your outlet box has a ground wire (green or bare copper), connect the fixture's ground wire to it. Otherwise, connect the fixture's ground wire directly to the circular strap using the green screw provided.

## COMPLETING THE INSTALLATION (Fig.1)

7. **Align the fixture back plate to mounting plate (D) and secure with cap nuts (E).**
8. **Attach the glass (H) and bottom plate (F) back to the fixture (I) by two screws (G)**
9. To prevent moisture from entering the outlet box and causing a short, use clear caulking (i.e. Indoor/Outdoor Silicone Sealant) to outline the outside of fixture back plate where it meets the wall leaving a space at bottom to allow moisture a means to escape. (Fig. 3)

**DO NOT EXCEED THE MAXIMUM WATTAGE RATING! (NE PAS DEPASSER LA PUISSANCE NOMINALE MAXIMALE!)**

Your installation is now complete. Return power to the junction box and test the fixture.

Fig.1

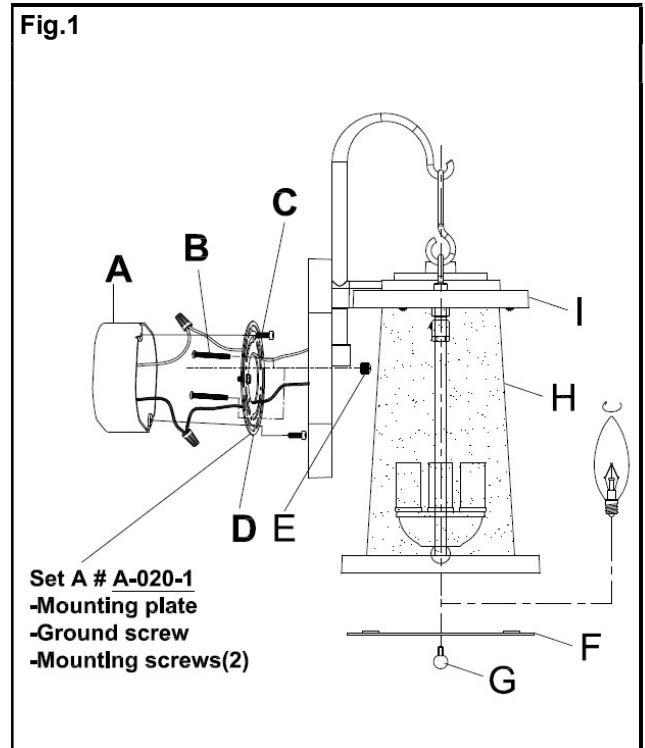


Fig. 2

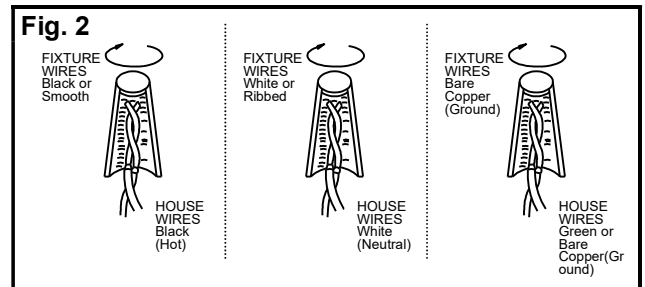


Fig. 3

