

INSTALLATION INSTRUCTIONS

Model# 73247-748

READ AND SAVE THESE INSTRUCTIONS

WARNING! SHUT POWER OFF AT FUSE OR CIRCUIT BREAKER.

AVERTISSEMENT! COUPER LE COURANT AU NIVEAU DES FUSIBLES OU DU DISJONCTEUR.

PREPARING FOR INSTALLATION (Fig. 1)

1. Shut off power at the fuse box or circuit breaker box and remove the old fixture including the mounting hardware.
2. Carefully unpack your new fixture and lay out all the parts in a clear area. Take care not to misplace any small parts necessary for installation.
3. Unscrew finial (R) and screws (K). Remove decorative part (N&P) and separate fixture frame (O) from cover (M).
4. Install (4) four candelabra base bulbs (T) up to 60 Watts, or CFL or LED equivalent (not included), in accordance with the fixture specification. **(DO NOT EXCEED THE MAXIMUM WATTAGE RATING) (NE PAS DEPASSER LA PUISSANCE NOMINALE MAXIMALE!)**
5. Secure fixture frame (O) to cover (M) by screwing screws (K) until tight.
6. Slide decorative parts (P&N) over all thread (S) and secure with finial (R) until tight.
7. Screw all thread (G) into ceiling loop (I) until snug.
8. Thread the other end of all thread (G) into cross bar (B) and secure with lock washer (F) and hex nut (E). Note: The length of all thread into the cross bar (B) may be adjusted if necessary.
9. Attach cross bar assembly using outlet box screws (D) to the outlet box (A) (not supplied). The side of cross bar (B) marked "GND" must face out.
10. Determine the desired hanging height and use a pair of proper chain pliers to remove and discard the excess chain.
11. Open one end of chain and attach it to fixture loop (L) and close chain. Slip lock collar (J) and canopy (H) over the chain and allow them to rest on the fixture body. Open the other end of the chain and attach it to ceiling loop (I) and close chain.
12. Carefully lace fixture's wires through chain. Feed fixture wires through ceiling loop (I) and all thread assembly.

CONNECTING THE WIRES (Fig. 2)

13. Connect the electrical wires as shown in Fig.2 with wire connectors, making sure that all wire connectors are secured. If your outlet box (A) has a ground wire (green or bare copper), connect the fixture's ground wire to it. Otherwise, connect the fixture's ground wire directly to the cross bar (B) using the green screw (C) provided. After the wires are connected, carefully tuck them inside the outlet box (A).

FINISHING THE INSTALLATION (Fig. 1)

14. Raise the canopy (H) over ceiling loop (I) and secure with lock collar (J).
15. This fixture is ETL listed for damp location applications.

Your installation is now complete. Return power to the outlet box and test the fixture.

Fig. 1

Cross bar (1) (Part#A-012)
Candle cover (4) (Part#CCV21079P-871)
Chain (1) (HCH2072-698)
Ground screw (1)
Mounting screws (2)

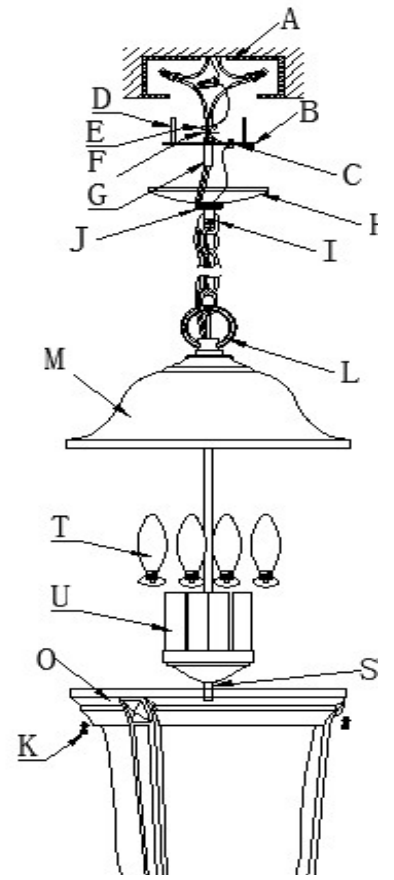
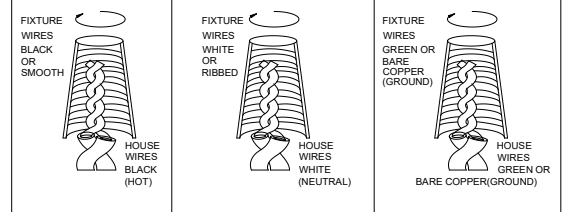


Fig.2



Notice: It is important to use proper chain pliers (not included) To OPEN and CLOSE the chain included with this fixture. Do not open them with other tools that may twist or stress the chain links. It is important to use proper chain pliers like the ones shown in the diagram.



“CAUTION-RISK OF FIRE CONSULT A QUALIFIED ELECTRICIAN TO ENSURE CORRECT BRANCH CIRCUIT CONDUCTOR”

ATTENTION – RISQUE D’INCENDIE. CONSULTER UN ÉLECTRICIEN QUALIFIÉ POUR VOUS ASSURER QUE LES CONDUCTEURS DE LA DÉRIVATION SONT ADÉQUATS.