

INSTALLATION INSTRUCTIONS

For Model 72757-66G

READ AND SAVE THESE INSTRUCTIONS

WARNING! SHUT POWER OFF AT FUSE OR CIRCUIT BREAKER.

AVERTISSEMENT! COUPER LE COURANT AU NIVEAU DES FUSIBLES OU DU DISJONCTEUR.

HANGING THE FIXTURE (Fig. 1)

1. Shut off power at the fuse box or circuit breaker box and remove the old fixture including the mounting hardware.
2. Carefully unpack your new fixture and lay out all the parts in a clear area. Take care not to misplace any small parts necessary for installation.
3. Attach the mounting plate (D) to the outlet box (A) (not supplied) with mounting screws (C) (Size: #8-32*0.78"L). GND must face out. Mark the position of the four holes on the mounting surface where the plastic anchors (F) will be inserted. Remove mounting plate (D). Drill appropriate size holes and insert the plastic anchors (F).
4. Attach the mounting plate (D) to the outlet box (A) (not supplied) with mounting screws (C) (Size: #8-32*0.78"L) GND must face out and install the four wood screws (N) into the plastic anchors (F).
5. The support cable (J) is provided to support the weight of the fixture while wiring. Align the fixture to mounting plate (D) and attach hook (P) on the end of support cable (J) into a slot located on mounting plate (D). Carefully allow the support cable (J) to support the weight of the fixture while wiring (Fig.1).

CONNECTING THE WIRES (Fig. 2).

6. Connect the electrical wires as shown in Fig.2. Making sure that all wire connectors are secured. If your outlet box has a ground wire (green or bare copper), connect the fixture's ground wire to it. Otherwise, connect the fixture's ground wire directly to the mounting plate (D) using the green screw provided.

COMPLETING THE INSTALLATION (Fig.1)

7. Align the fixture back plate to mounting plate (D) and secure with screws (B).
8. Install (4) four candelabra base bulbs up to 60 watts or CFL or LED equivalent (not included) in accordance with the fixture specification. **DO NOT EXCEED THE MAXIMUM WATTAGE RATING! (NE PAS DEPASSER LA PUISSANCE NOMINALE MAXIMALE!).**
9. Raise the cage (K) back to the fixture (H), secure with screws (I). Raise the bottom claw (L) over the nipple (G) on the bottom of the fixture base. Secure with finial (M) tightly.
10. To prevent moisture from entering the outlet box and causing a short, use clear caulking (i.e. Indoor/Outdoor Silicone Sealant) to outline the outside of fixture back plate where it meets the wall leaving a space at bottom to allow moisture a means to escape (Fig. 3).

Fig.1

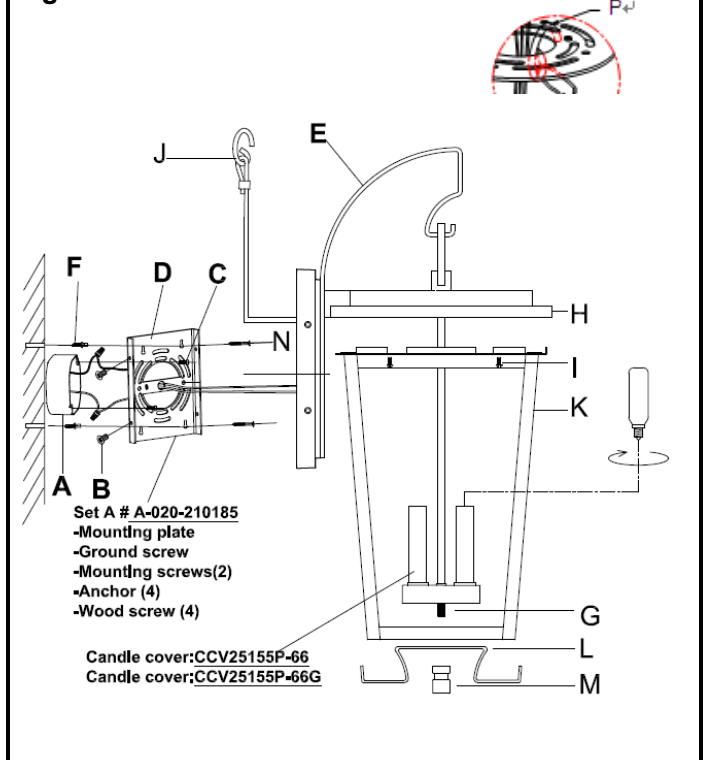


Fig. 2

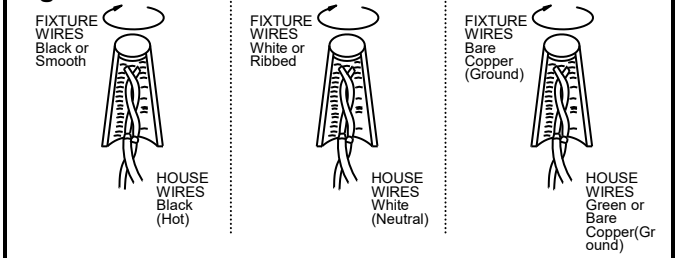
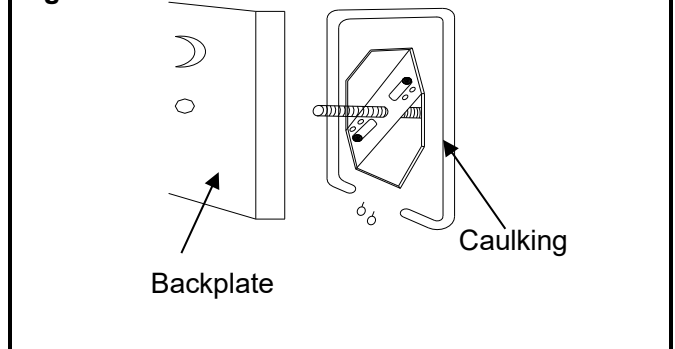


Fig. 3



Your installation is now complete. Return power to the junction box and test the fixture.

