

INSTALLATION INSTRUCTIONS

For Model 72756-66G

WARNING! SHUT POWER OFF AT FUSE OR CIRCUIT BREAKER.

AVERTISSEMENT! COUPER LE COURANT AU NIVEAU DES FUSIBLES OU DU DISJONCTEUR.

HANGING THE FIXTURE (Fig. 1)

1. Shut off the power at the circuit breaker and remove the old fixture including the mounting hardware.
2. Carefully unpack your new fixture and lay out all the parts on a clear area. Take care not to lose any small parts necessary for installation.

CONNECTING THE WIRES (Fig.2)

3. While supporting the fixture (C), connect the electrical wires as shown in figure 2. If your post has a ground wire (green or bare copper), connect the fixture ground wire to it. If not, consult your electrician for proper grounding. After the wires are connected, tuck them carefully inside the post cup (A).

COMPLETING THE INSTALLATION (Fig. 1)

4. Take off the roof (E) by loosening screws (D).
5. Install (4) four candelabra base bulbs up to 60 watts or CFL or LED equivalent (not included) in accordance with the fixture specification.
DO NOT EXCEED THE MAXIMUM WATTAGE RATING! (NE PAS DEPASSER LA PUISSANCE NOMINALE MAXIMALE!)
6. Attach the roof (E) back to the fixture (C) with screws (D)
7. Place the fixture (C) onto post cup (A) and secure with mounting screws (B).

Your installation is now complete. Return power to the junction box and test the fixture

Fig. 1

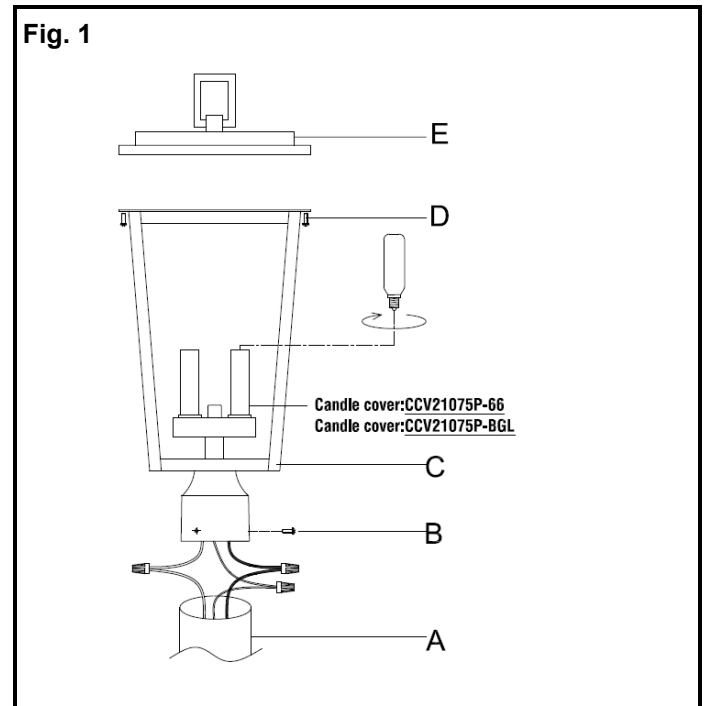


Fig. 2

