

INSTALLATION INSTRUCTIONS

For Model 72754-66G

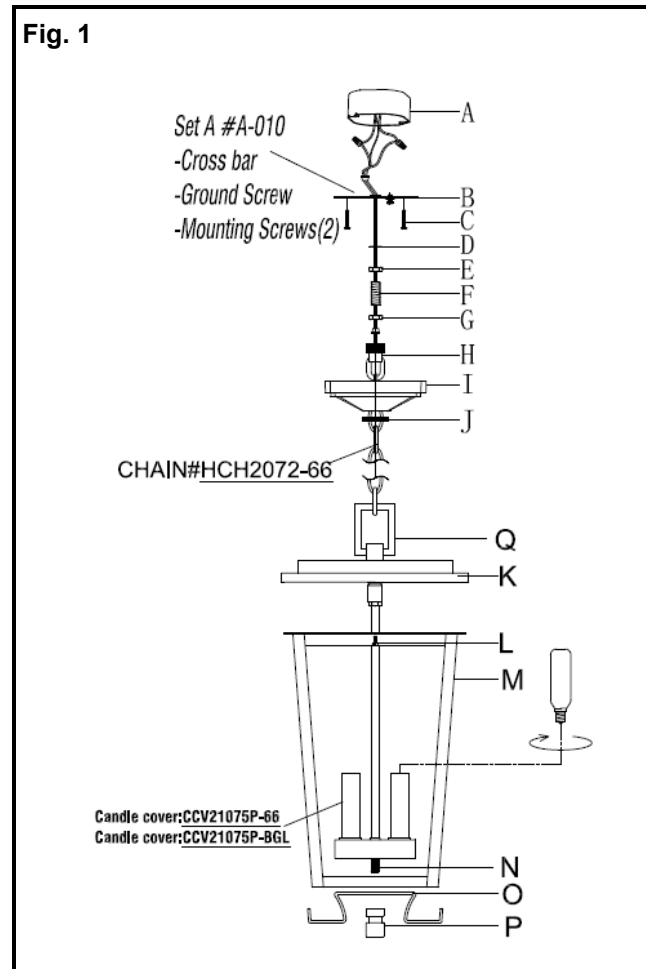
WARNING! SHUT POWER OFF AT FUSE OR CIRCUIT BREAKER.

AVERTISSEMENT! COUPER LE COURANT AU NIVEAU DES FUSIBLES OU DU DISJONCTEUR.

HANGING THE FIXTURE (Fig. 1)

1. Shut off power at the fuse box or circuit breaker box and remove the old fixture including the mounting hardware.
2. Carefully unpack your new fixture and lay out all the parts in a clear area. Take care not to misplace any small parts necessary for installation.
3. Twist off the finial (P). Take off the bottom claw (O). Unscrew the screws (L), then remove the cage (M). Install (4) candelabra base bulbs up to 60 watts or CFL or LED equivalent (not included) in accordance with the fixture specification.- **DO NOT EXCEED THE MAXIMUM WATTAGE RATING! (NE PAS DEPASSER LA PUISSANCE NOMINALE MAXIMALE!)**
4. Raise the cage (M) back to the fixture (K), secure with screws (L). Raise the bottom claw (O) over the nipple (N) and screw on finial (P) until secure.
5. Place lock washer (D) over end of nipple (F) protruding through crossbar (B) and thread hex nut (E) onto nipple (F) until tight. Take this crossbar assembly (B) and mount to ceiling outlet box (A) with screws (C).
Note: The side of the cross bar marked "GND" must face out.
6. Open one end link of the chain and connects to the fixture loop (Q). Close the link. Determine correct length needed for proper hanging height and discard remaining chain.
7. Lace the fixture wires through the chain. Slip loop collar (J), then the canopy (I) over the chain and wires. Open the end link of chain and connect to fixture loop (H). Close the link. Feed the fixture wires through the loop (H) and nipple (F).

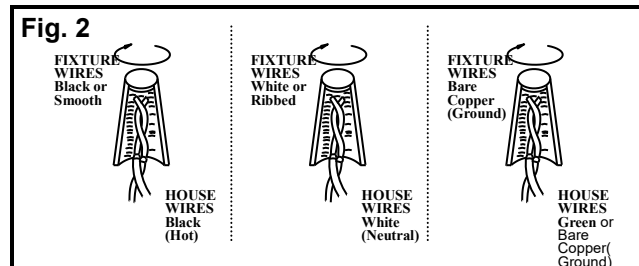
Fig. 1



CONNECTING THE WIRES (Fig. 2)

8. Connect the electrical wires as shown in Fig.2. making sure that all wire connectors (B) are secured. If your outlet box has a ground wire (green or bare copper), connect the fixture's ground wire to it. Otherwise, connect the fixture's ground wire directly to the cross bar (B) using the green screw provided.
9. Finally screw the loop collar (J) to the loop (H) and secure the canopy (I) to the ceiling.

Fig. 2



Your installation is now complete. Return power to the junction box and test the fixture



Notice: It is important to use proper chain pliers (not included) To OPEN and CLOSE the chain included with this fixture. Do not open them with other tools that may twist or stress the chain links. It is important to use proper chain pliers like the ones shown in the diagram.

