

INSTALLATION INSTRUCTION

For item#9152-A357 (Rev. 05/05/2012)

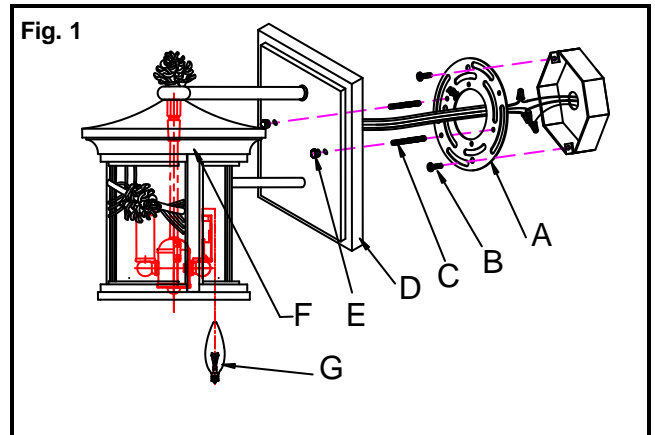
READ AND SAVE THESE INSTRUCTIONS

WARNING! SHUT POWER OFF AT FUSE OR CIRCUIT BREAKER.

AVERTISSEMENT! COUPER LE COURANT AU NIVEAU DES FUSIBLES OU DU DISJONCTEUR.

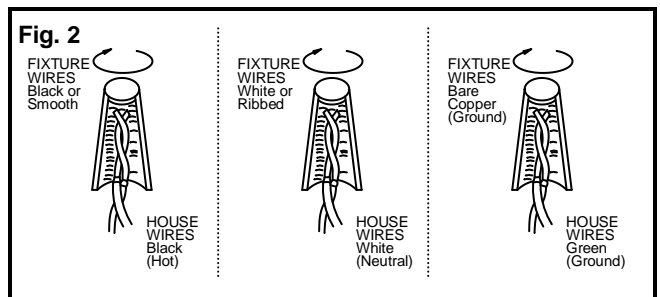
MOUNTING THE BACKPLATE (Fig.1)

1. Shut off the power at the circuit breaker and remove the old fixture, including the mounting hardware.
2. Carefully unpack your new fixture and lay out all the parts on a clear area. Take care not to lose any small parts necessary for installation.
3. Attach the mounting plate (A) to the junction box with Screws (B). The side of the mounting plate marked "GND" must face out.
4. Install screws (C) into the mounting plate (A) equal distance apart to align with the mounting holes on back plate (D).



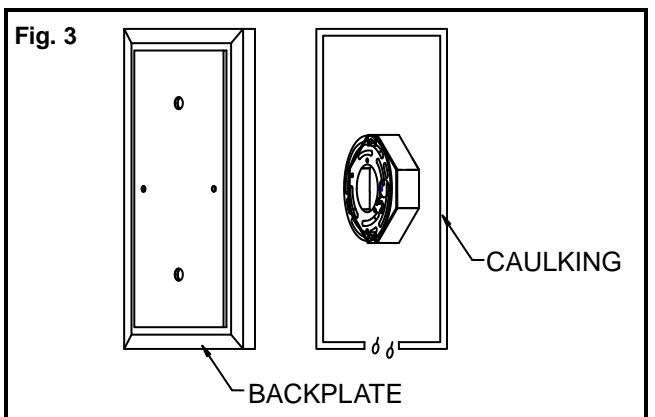
CONNECTING THE WIRES (Fig. 2)

5. Connect the electrical wires as shown in Fig. 2, making sure that all wire connectors are secured. If your outlet box has a ground wire (green or bare copper), connect the fixture's ground wire to it. Otherwise, connect the fixture's ground wire directly to the mounting plate using the green screw provided. After the wires are connected carefully tuck them inside the junction box.



COMPLETING THE INSTALLATION

6. Place the back plate (D) over screws (C), and secure with cap nuts (E).
7. Notice: To comply with UL Standards and maintain product warranty, use clear silicone sealant to outline the outside of the fixture back plate where it meets the wall to prevent moisture from entering the junction box while leaving a space at the bottom to allow moisture to escape (Fig 3.). Failure to do so will void any expressed warranty.
8. Install the B10.5 2*60W bulb (G) (not included) into socket (F) in accordance with the fixture's specification. Note: To prevent damage to the bulb during installation, hold the bulb by the base only while installing into the socket. **(DO NOT EXCEED THE SPECIFIED WATTAGE!) (NE PAS DEPASSER LA PUISSANCE NOMINALE MAXIMALE!)**



Your installation is now complete. Return the power to the junction box and test the fixture.

Note: Illustration (Fig. 1) on this manual is for installation purposes only. It may or may not be identical to the fixture purchased.