

WYTHE X-LARGE CHANDELIER

PRODUCT FEATURES

- Natural Brass Finish with Cast Glass
- Industrial detailing of extrusion and glass holders
- Great feature piece to anchor a large dining room, foyer or living space
- Includes (2) 6" and (4) 12" rigid stems in coordinating finish.
- Fully dimmable integrated LED lamp
- Protected by a 5-year warranty. Please visit the "About Us" Page on techlighting.com for more for warranty details



LAMPING

Includes 36 watts, 2400 total delivered lumens, 2700K LED modules. Dimmable with most LED compatible ELV and Triac dimmers. 277V dimmable with 0-10V dimmers. Ships with (16) 12" and (8) 6" rigid stems in coordinating finish. 120V or 277V.

Natural Brass (Lit)



Natural Brass (Lit)

Natural Brass (Unlit)

Natural Brass Alt (Lit)

Natural Brass Alt (Unlit)

ORDERING INFORMATION

700WYT	SHAPE OR SIZE	FINISH	LAMP
	12 12 LIGHT	BR PLATED BRASS	-LED927 INTEGRATED LED 90 CRI 2700K 120V -LED927-277 INTEGRATED LED 90 CRI 2700K 277V

700WYT _____

JOB NAME _____

NOTES _____

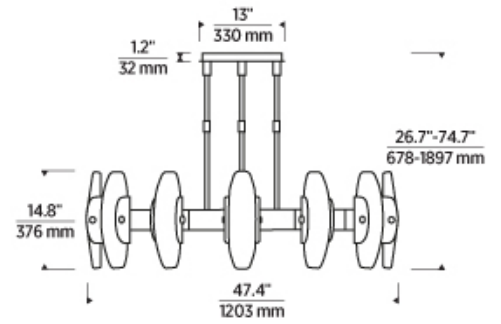


WYTHE X-LARGE CHANDELIER



SPECIFICATIONS

HARDWARE MATERIAL	Metal
SHADE MATERIAL	Glass
NET WEIGHT	265 lbs
HEIGHT	14.8in
WIDTH	47.4in
LENGTH	47.4in
UP LIGHT / DOWN LIGHT / BOTH?	
WET LISTED	
DAMP LISTED	Yes
DRY LISTED	
MIN. HANGING HEIGHT	26.7in
MAX HANGING HEIGHT	74.7in
TOTAL CORD LENGTH	
TOTAL STEM LENGTH	
STEM QTY	
SLOPED CEILING ADAPTABLE?	No
GENERAL LISTING	ETL Listed
INCLUDES	



LAMPING SPECIFICATIONS

	LED LAMP	INTEGRATED LED	NON LED	NO LAMP
DELIVERED LUMENS		2400		
WATTS		36		
MAX WATTAGE PER BULB		36W		
INPUT VOLTAGE		120V 277V		
DIMMING TYPE*		ELV, TRIAC 0-10V		
CCT		2700K		
CRI		90 CRI		
LED LIFETIME		>50000		
L70				
AVERAGE BULB HOURS				
FIELD SERVICEABLE LED				
LAMP BASE		Integrated LED		
LAMP SHAPE		Integrated LED		
LAMP INCLUDED?		True		
WARRANTY**		5 Years		

* Dimming information available at www.techlighting.com/Downloads#dimming

** Visit techlighting.com for specific warranty limitations and details.

T20 / T24 / JA8 INFORMATION

	Integrated LED	Replacement LED Lamp	No Lamp *
This product can be used to comply with California Building Energy Efficiency Standards 2016 Title 24 Part 6 / JA8.	Yes		
This product can be used to comply with California Appliance Efficiency Standards 2016 Title 20 and may be shipped to and sold in California.	N/A		

* If a light fixture or component does not include a lamp or light source, it is the responsibility of the customer to select a lamp that meets the T24 and T20 requirements.

