

Vance and Lance 18 and 24 Flush Mount

700FMVNC, 700FMLNC

1.0



GENERAL PRODUCT INFORMATION:

These fixtures are intended to be installed utilizing NEC compliant junction boxes.



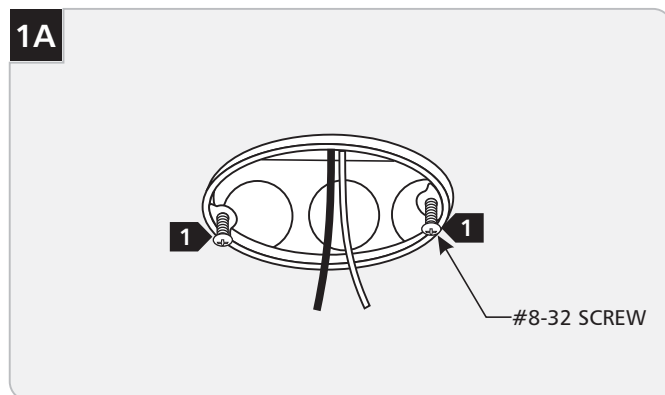
This product is suitable for damp locations.

This product can be dimmed with a low-voltage electronic dimmer.

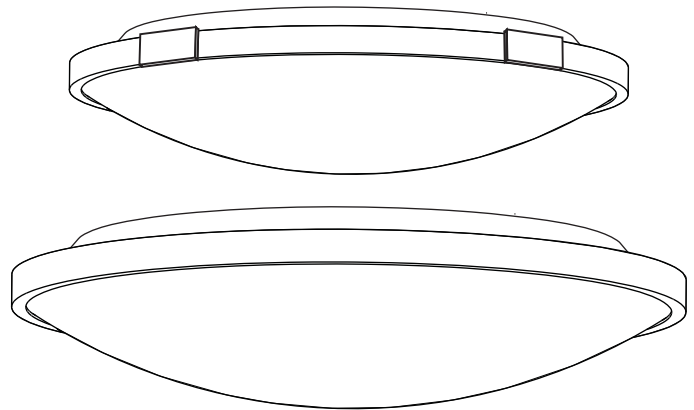
This instruction shows a typical installation.

Prepare the fixture (2.75" J-Box Screw Spacing)

For all other J-Boxes: skip ahead to section 2A.



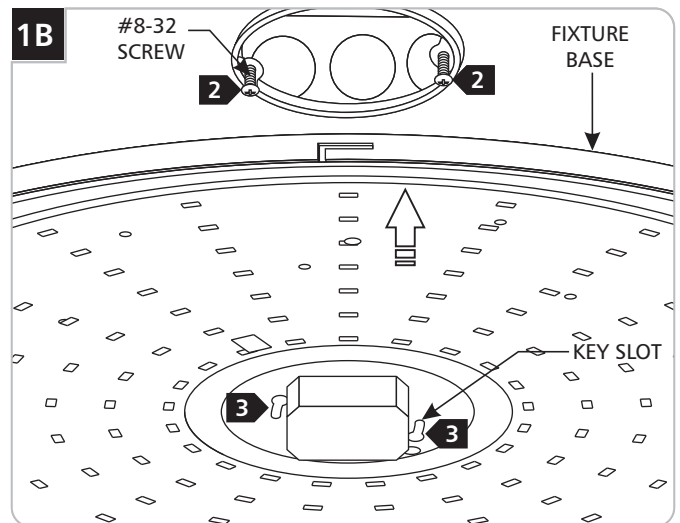
1 Partially screw 2 #8-32 screws into the Junction box.



CAUTION - RISK OF FIRE

This product must be installed in accordance with the applicable installation code by a person familiar with the construction and operation of the product and the hazards involved.

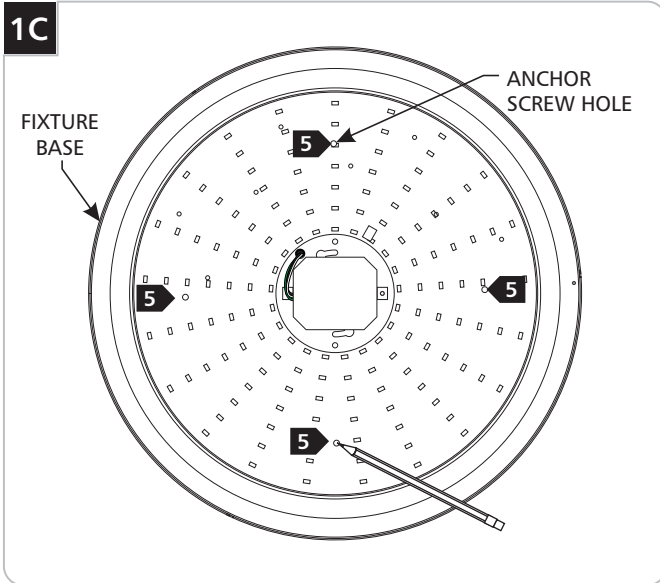
Use minimum 90°C supply conductors.



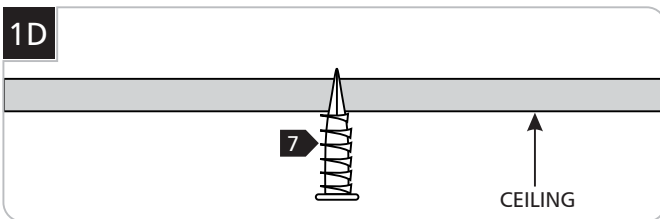
2 Align the Key Slots in the fixture base with the #8-32 screws installed in the junction box.

3 Push the Key Slots on to the #8-32 screws and twist the fixture base counter-clockwise to temporarily lock it into position.

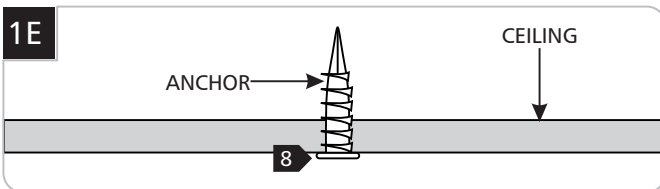
4 Lightly tighten the #8-32 screw to hold the fixture base in place through the next steps.



- 5 With a pencil, mark the location of the 4 anchor screw holes in the fixture base.
- 6 Remove the fixture base from the ceiling. (Reverse of 1B.)



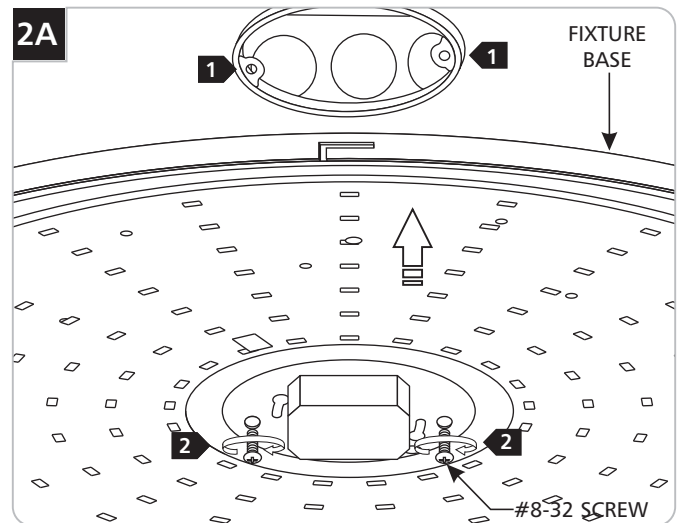
- 7 Using the mark points that were determined in step 5, tap the anchor into the ceiling up to the threaded portion with a hammer.



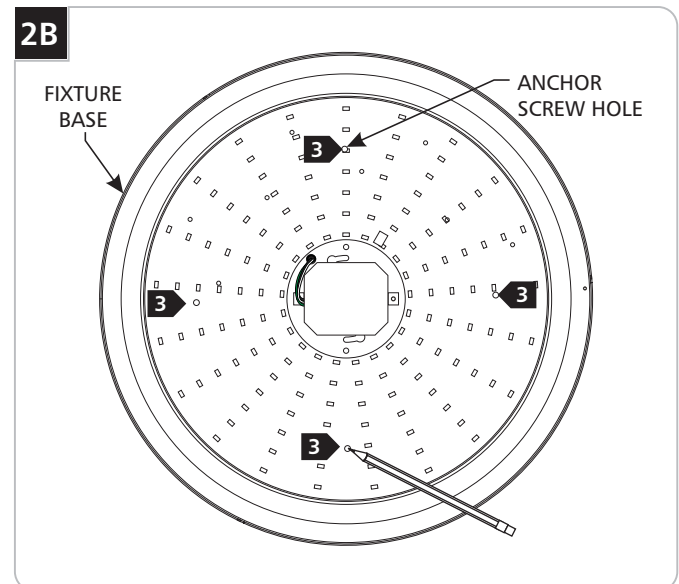
- 8 Screw the anchor in the rest of the way with a Phillips screwdriver.

Note: Continue to Section 3A to connect the fixture.

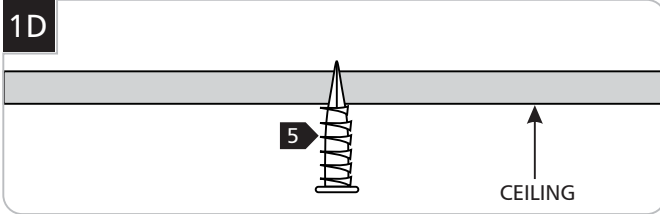
Prepare the fixture (3.5" J-Box Screw Spacing)



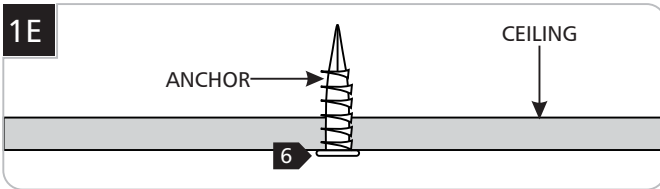
- 1 Align the through holes in the fixture base with the #8-32 screws to junction box.
- 2 Lightly tighten the #8-32 screws to hold the fixture base in place through the next steps.



- 3 With a pencil, mark the location of the 4 anchor screw holes in the fixture base.
- 4 Remove the fixture base from the ceiling. (Reverse of 2A.)

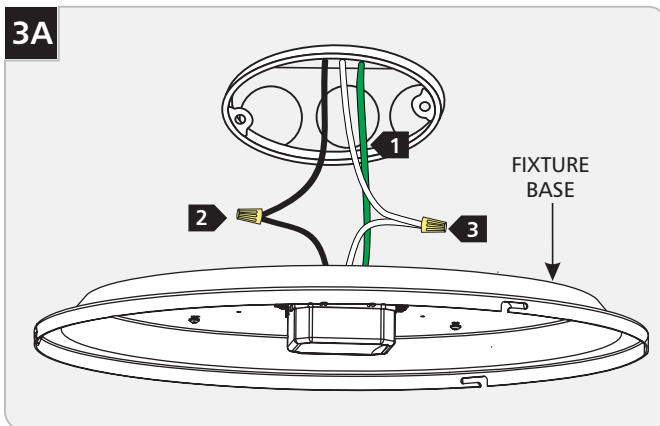


- 5** Using the mark points that were determined in step 5, tap the anchor into the ceiling up to the threaded portion with a hammer.



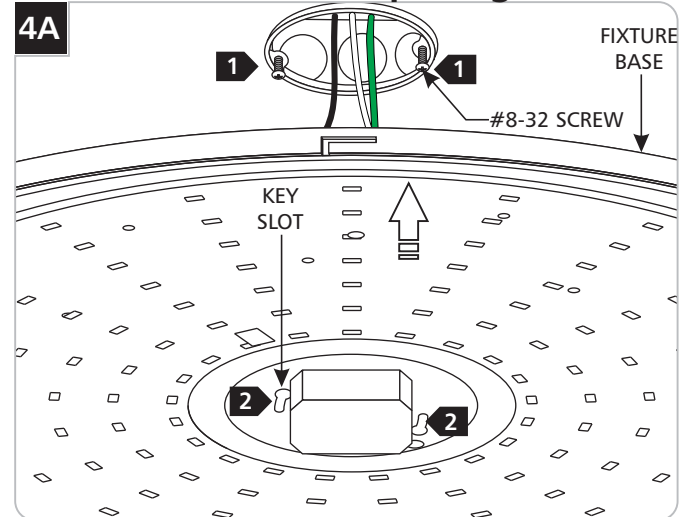
- 6** Screw the anchor in the rest of the way with a Phillips screwdriver.

Connect the Fixture (All J-boxes)



- 1** Ground the fixture in accordance with local electrical codes.
- 2** Connect the black fixture wire to the hot power line wire with a wire nut.
- 3** Connect the white fixture wire to the neutral power line wire with a wire nut.

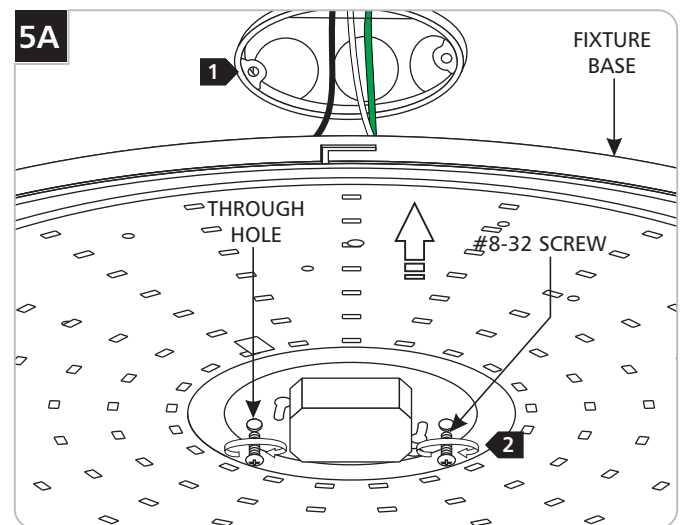
Install the Fixture (2.75" J-Box Screw Spacing)



- 1** Align the Key Slots in the fixture base with the #8-32 screws installed in the junction box.
- 2** Push the Key Slots on to the #8-32 screws and twist the fixture base counter-clockwise to lock it into position.
- 3** Firmly tighten the #8-32 screw to hold the fixture base in place.

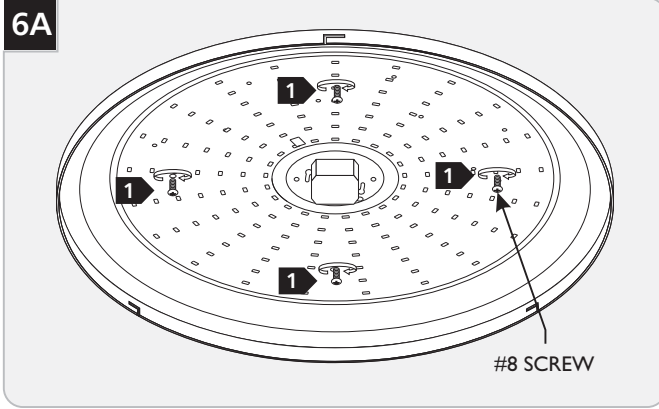
Note: Skip ahead to Section 6A to complete the install.

Install the fixture (3.5" J-Box Screw Spacing)



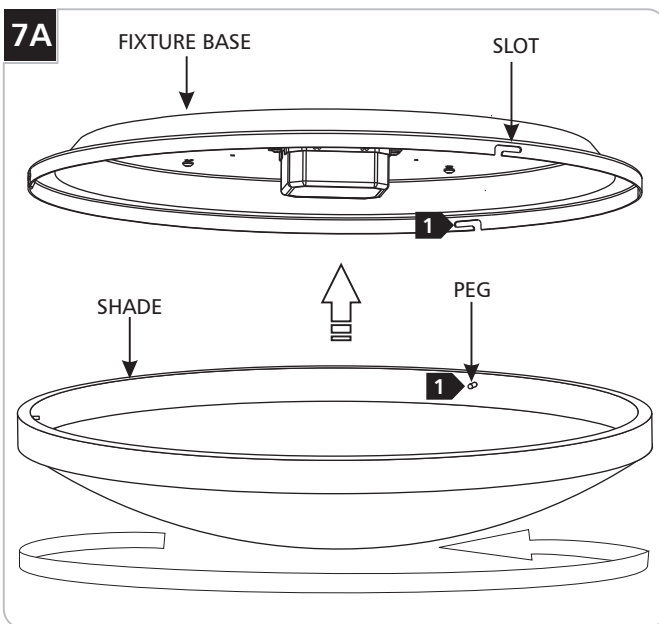
- 1** Align the through holes in the fixture base with the #8-32 screws to junction box.
- 2** Firmly tighten the #8-32 screws to hold the fixture base in place through the next steps.

Complete the install (All J-boxes)



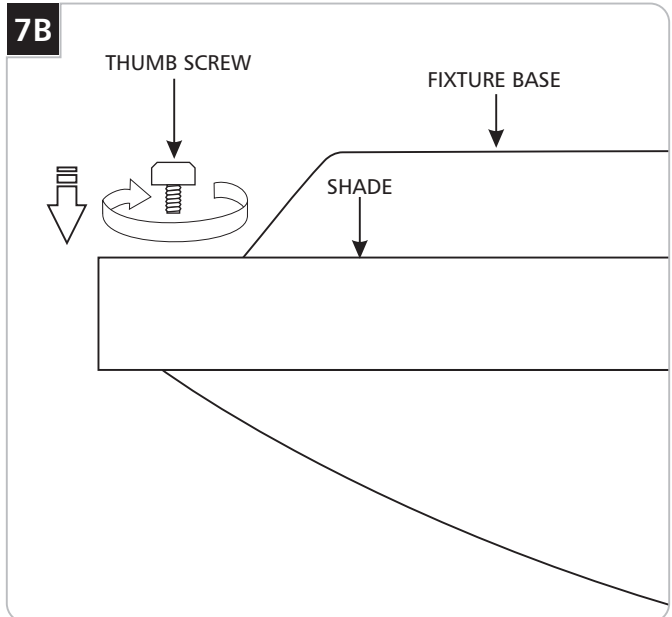
- 1 Place the four provided #8 screws in the holes and carefully tighten them to be sure to not damage the LED board.

Install the Shade



CAUTION: Improperly aligning the pegs before rotating the shade into place may cause damage to slots. Make sure the shade sits flush before rotating.

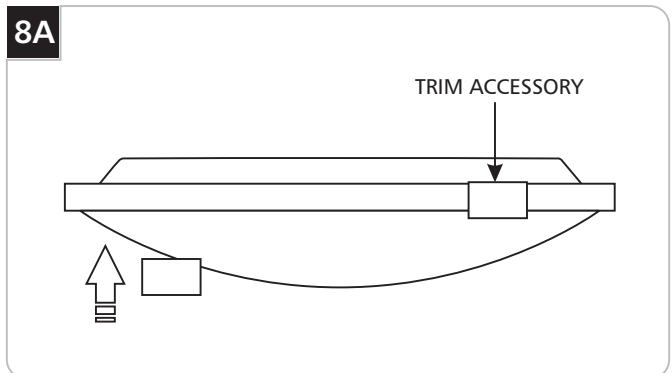
- 1 Align the pegs on the shade with the keyed slots on the fixture base, push the shade up evenly, making sure it sits flush on all sides.
- 2 Carefully rotate the shade into position.



- 3 Locate the small threaded hole on the top side of the shade.
- 4 Screw the thumb screw into the shade to secure it in place.

Install the Trim Accessories(Lance only)

NOTE: The Lance ships with several trim accessories depending on the size of the fixture. The trim accessories are not included with the Vance.



- 1 Attach the trim accessories to the rim of the shade. Imbedded magnets will allow the accessories to snap into place.

SAVE THESE INSTRUCTIONS!



TECH LIGHTING®

7400 Linder Ave, Skokie, IL 60077
847.410.4400

www.techlighting.com

© 2017 Tech Lighting, L.L.C. All rights reserved. The "Tech Lighting" graphic is a registered trademark of Tech Lighting, L.L.C. Tech Lighting reserves the right to change specifications for product improvements without notification.

A Generation Brands Company