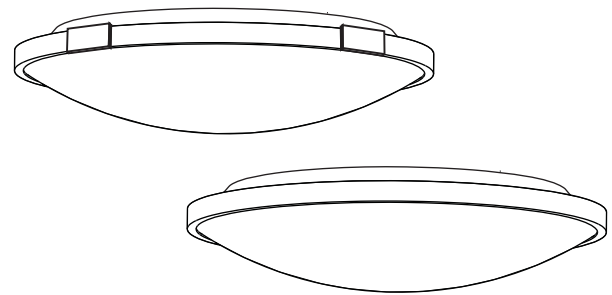


Vance and Lance 13 Flush Mount

700FMVNC13, 700FMLNC13 1.0



GENERAL PRODUCT INFORMATION:

These fixtures are intended to be installed utilizing NEC compliant junction boxes.



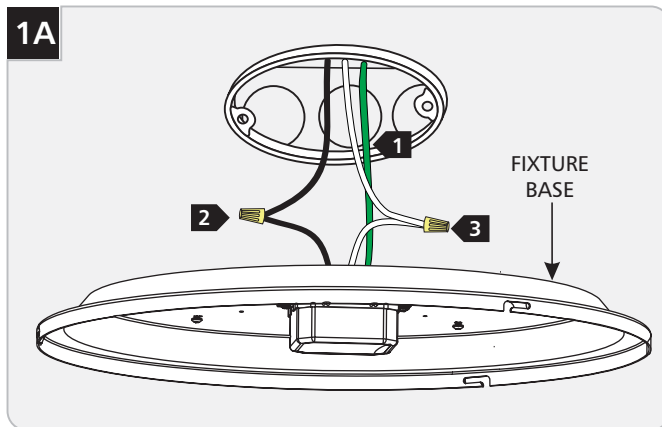
This product is suitable for damp locations.

This product can be dimmed with a low-voltage electronic dimmer.

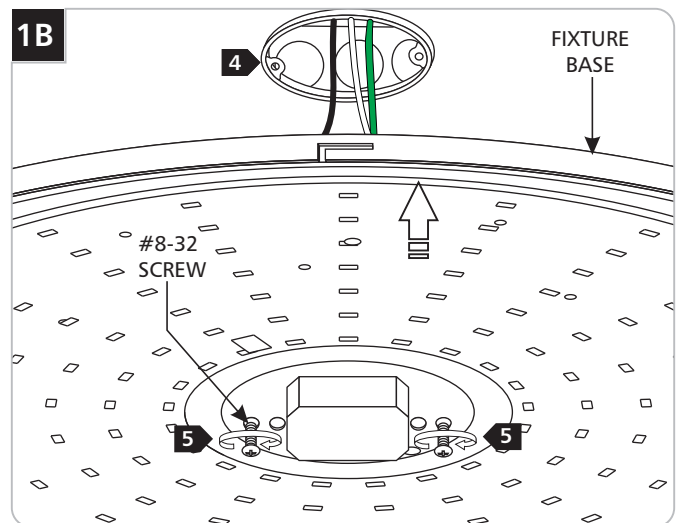
This instruction shows a typical installation.

CAUTION - RISK OF FIRE
 This product must be installed in accordance with the applicable installation code by a person familiar with the construction and operation of the product and the hazards involved.
 Use minimum 90°C supply conductors.

Install the fixture



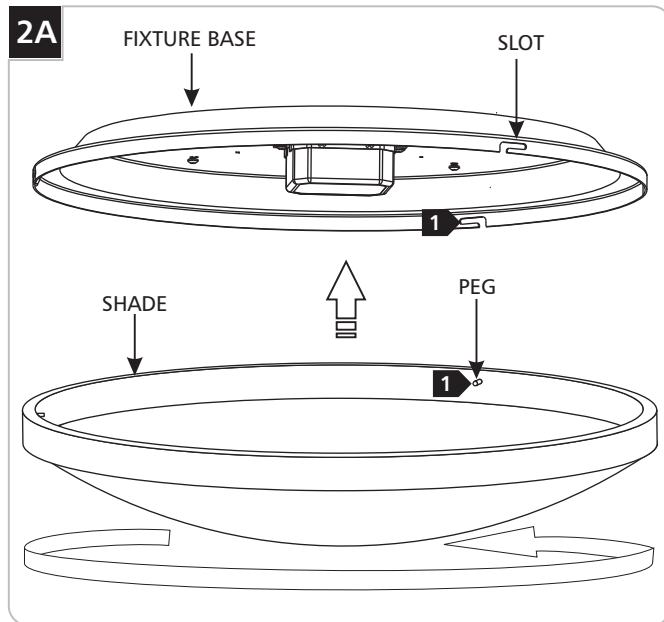
- 1 Ground the fixture in accordance with local electrical codes.
- 2 Connect the black fixture wire to the hot power line wire with a wire nut.
- 3 Connect the white fixture wire to the neutral power line wire with a wire nut.



Note: depending on the dimensions of the J-box, you may use either the inner or outer through holes.

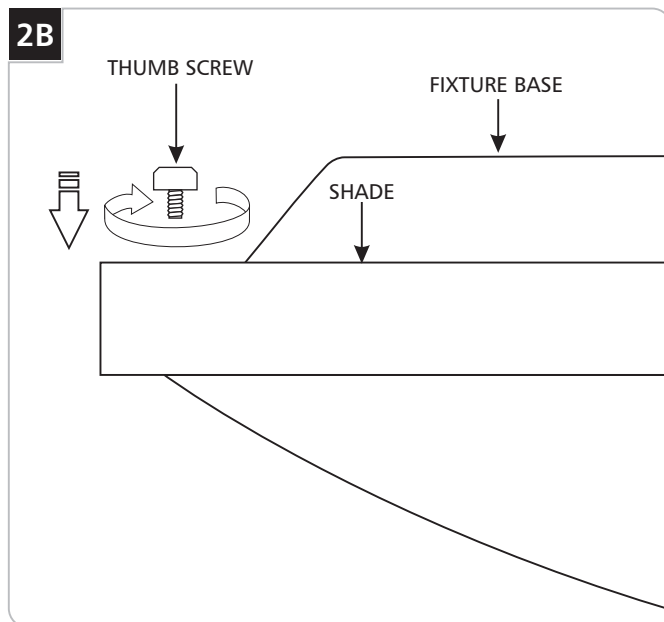
- 4 Align the through holes in the fixture base with the #8-32 screws to junction box.
- 5 Firmly tighten the #8-32 screws to hold the fixture base in place through the next steps.

Install the Shade



CAUTION: Improperly aligning the pegs before rotating the shade into place may cause damage to slots. Make sure the shade sits flush before rotating.

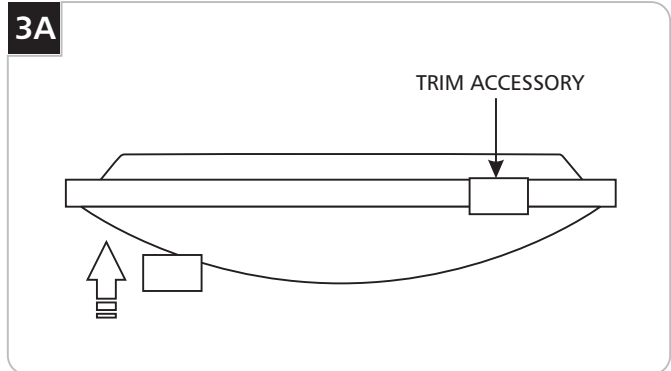
- 1 Align the pegs on the shade with the keyed slots on the fixture base, push the shade up evenly, making sure it sits flush on all sides.
- 2 Carefully rotate the shade into position.



- 3 Locate the small threaded hole on the top side of the shade.
- 4 Screw the thumb screw into the shade to secure it in place.

Install the Trim Accessories(Lance only)

NOTE: The Lance 13 ships with three trim accessories. The trim accessories are not included with the Vance.



- 1 Attach the trim accessories to the rim of the shade. Imbedded magnets will allow the accessories to snap into place.

SAVE THESE INSTRUCTIONS!



7400 Linder Ave, Skokie, IL 60077
847.410.4400

www.techlighting.com

© 2017 Tech Lighting, L.L.C. All rights reserved. The "Tech Lighting" graphic is a registered trademark of Tech Lighting, L.L.C. Tech Lighting reserves the right to change specifications for product improvements without notification.

A Generation Brands Company