

## PRODUCT FEATURES

- Modern asymmetric design style
- Stamped metal shade for a chic contemporary finish
- Complementary Rhonan Pendant and Rhonan Grande also available from Tech Lighting
- Ideal for commercial and residential lighting applications
- Ships with fully-dimmable integrated LED lamping
- Protected by a 5 year warranty



## LAMPING

Includes 34 watt, 1139.2 total delivered lumens, 3000K LED module. Dimmable with low-voltage electronic dimmer. May be wall or ceiling mounted. ADA compliant.

Nightshade Black



White

Nightshade Black

Plated Brass

Nightshade Black  
Alt View

To view all available finish options, please visit [techlighting.com](http://techlighting.com)

## ORDERING INFORMATION

### 700FMRHNS FINISH

- WW** MATTE WHITE / WHITE
- B** NIGHTSHADE BLACK
- BR** PLATED BRASS

### LAMP

-LED930 LED 90 CRI 3000K 120V

700FMRHNS \_\_\_\_\_

JOB NAME \_\_\_\_\_

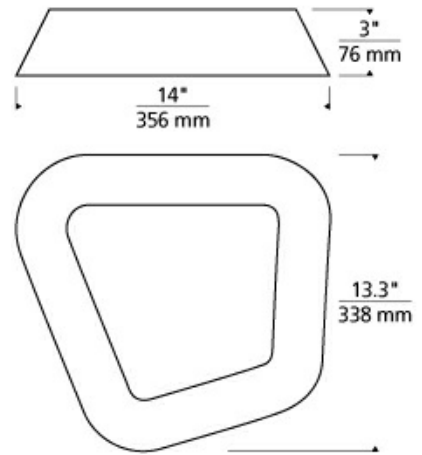
NOTES \_\_\_\_\_



# RHONAN FLUSH MOUNT

## SPECIFICATIONS

HARDWARE MATERIAL	Glass
SHADE MATERIAL	Glass
NET WEIGHT	6 lbs
HEIGHT	3in
WIDTH	13.3in
LENGTH	14in
UP LIGHT / DOWN LIGHT / BOTH?	
WET LISTED	
DAMP LISTED	Yes
DRY LISTED	
WALL / CEILING MOUNT	
GENERAL LISTING	ETL Listed
INCLUDES	



## LAMPING SPECIFICATIONS

	LED LAMP	INTEGRATED LED	NON LED	NO LAMP
DELIVERED LUMENS		1139		
WATTS		34		
MAX WATTAGE PER BULB		34W		
INPUT VOLTAGE		120V		
DIMMING TYPE*		ELV, TRIAC		
CCT		3000K		
CRI		90 CRI		
LED LIFETIME				
L70		>50000		
AVERAGE BULB HOURS				
FIELD SERVICEABLE LED				
LAMP BASE		Integrated LED		
LAMP SHAPE		Integrated LED		
LAMP INCLUDED?		Y		
WARRANTY**		5 Years		

\*Dimming information available at [www.techlighting.com/Downloads#dimming](http://www.techlighting.com/Downloads#dimming)

\*\* Visit [techlighting.com](http://techlighting.com) for specific warranty limitations and details.

## T20 / T24 INFORMATION

	Integrated LED	Replacement LED Lamp	No Lamp *
This product can be used to comply with California Building Energy Efficiency Standards 2016 <b>Title 24</b> Part 6.	No		
This product can be used to comply with California Appliance Efficiency Standards 2016 <b>Title 20</b> and may be shipped to and sold in California.	N/A		

\* If a light fixture or component does not include a lamp or light source, it is the responsibility of the customer to select a lamp that meets the T24 and T20 requirements.

