

Reflection (LED)

700VNRFL-LED_ 1.0



BATH COLLECTION

GENERAL PRODUCT INFORMATION:

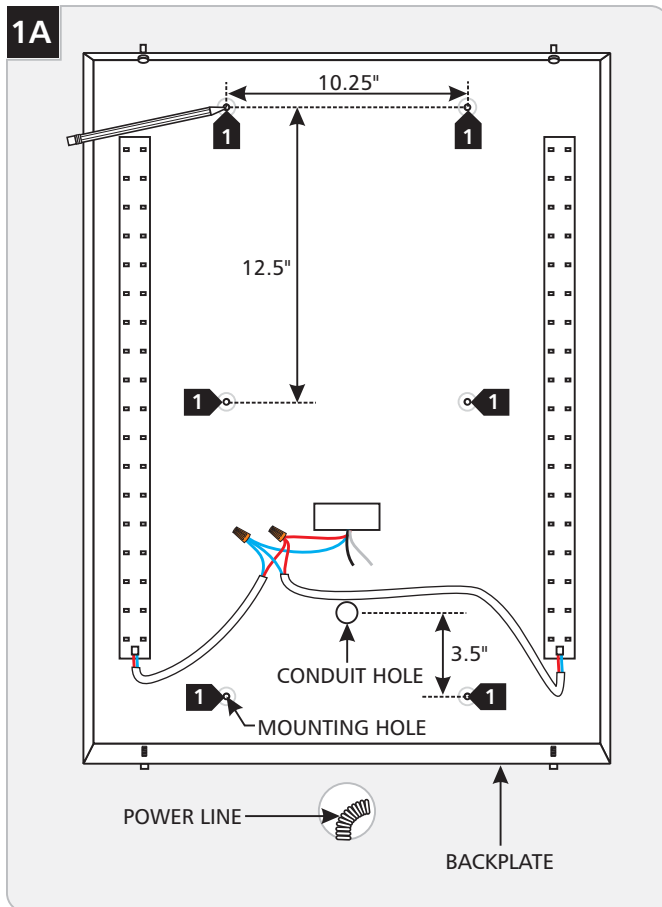


This product is suitable for indoor locations only.

Bring appropriate power supply to the mirror in accordance with local electrical codes.

This instruction shows a typical installation.

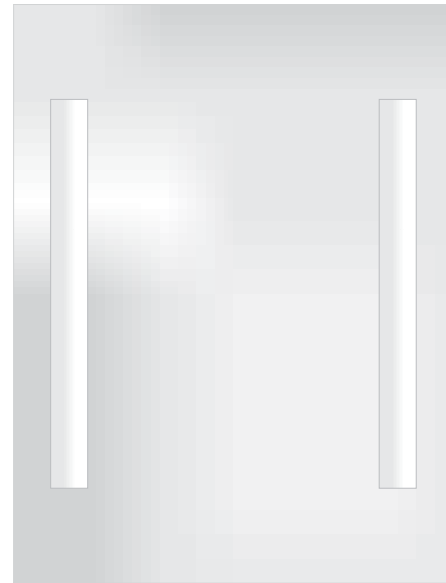
Install the Backplate



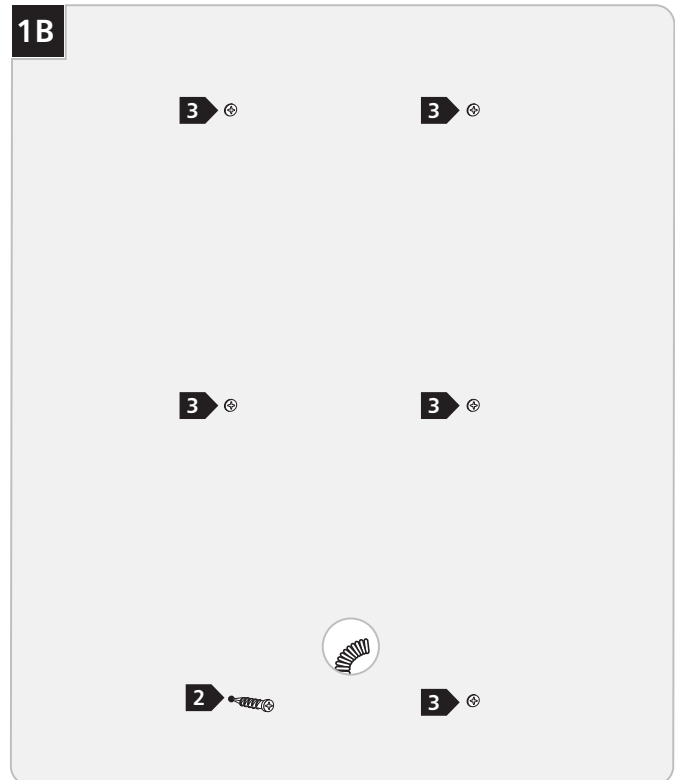
NOTE: This installation requires an additional person to hold the backplate while electrician installs it.

- 1 Align the backplate conduit hole with the power line and use the backplate as a template (or the provided dimensions) to mark the six mounting holes onto the wall.

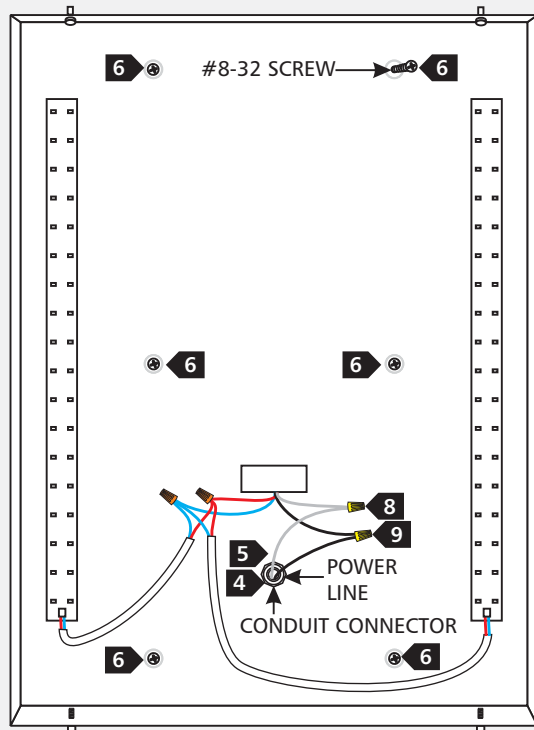
NOTE: Make sure that the backplate is leveled horizontally.



CAUTION - RISK OF FIRE
 This product must be installed in accordance with the applicable installation code by a person familiar with the construction and operation of the product and the hazards involved.
 Use minimum 90°C supply conductors.



- 2 With a hammer tap the anchors at the marked points up to the threaded portion.
- 3 Screw the anchors in the rest of the way with a Phillips screwdriver.

1C

- 4** Install the conduit connector (not provided) to backplate conduit hole.
- 5** Feed the power line through the conduit connector into the backplate.
- 6** Line up the backplate holes with the anchors and secure it to the anchors with the six #8-32 screws provided.
- 7** Ground the backplate in accordance with local electrical codes.
- 8** Connect the white driver wire to the neutral power line wire with a wire nut.
- 9** Connect the black driver wire to the hot power line wire with a wire nut.

SAVE THESE INSTRUCTIONS!



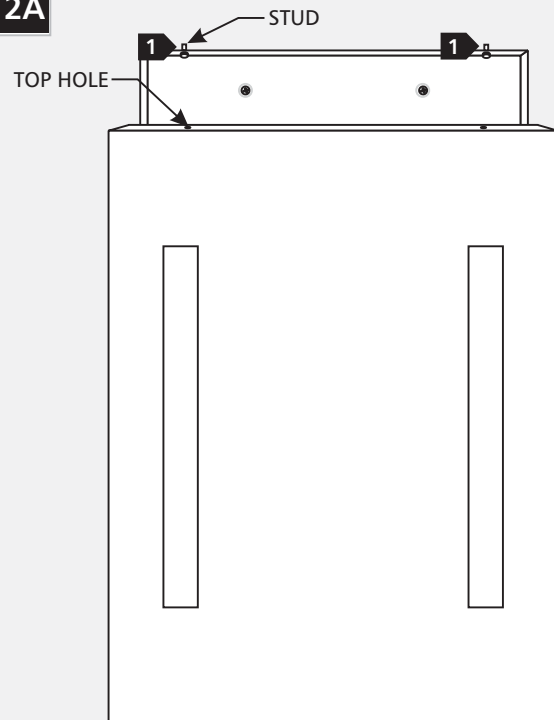
7400 Linder Ave, Skokie, IL 60077
847.410.4400

www.techlighting.com

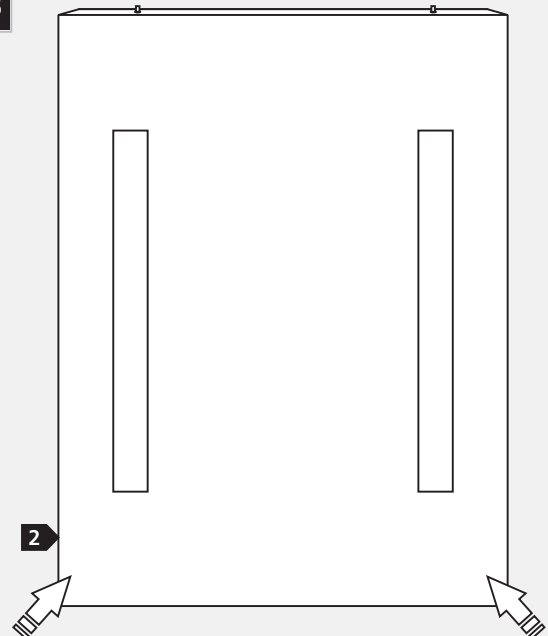
© 2012 Tech Lighting, L.L.C. All rights reserved. The "Tech Lighting" graphic is a registered trademark of Tech Lighting, L.L.C. Tech Lighting reserves the right to change specifications for product improvements without notification.

A Generation Brands Company

Install the Mirror

2A

- 1** Carefully hook the mirror through the top two holes onto the backplate studs.

2B

- 2** Push the mirror bottom corners against the backplate until it snaps in place.