

Ponte 22 Pendant

700TDPNT22 | 1.1



PENDANT

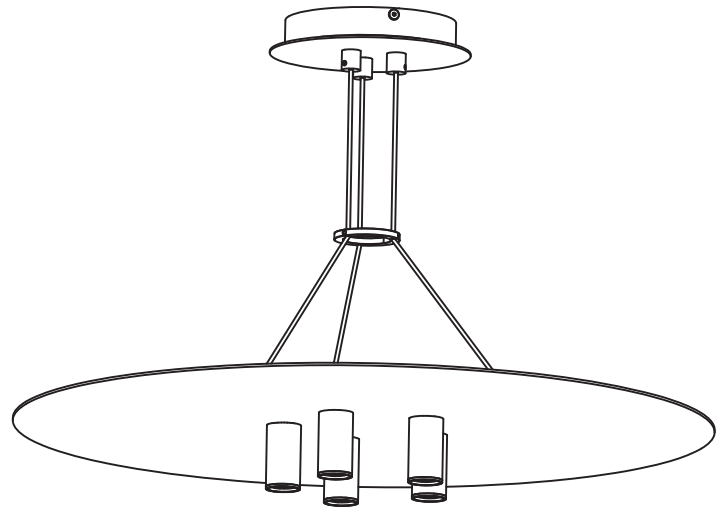
GENERAL PRODUCT INFORMATION:

These fixtures are intended to be installed utilizing NEC compliant junction boxes.



This product is suitable for damp locations.

This product can be dimmed with a low-voltage electronic dimmer.



CAUTION - RISK OF FIRE

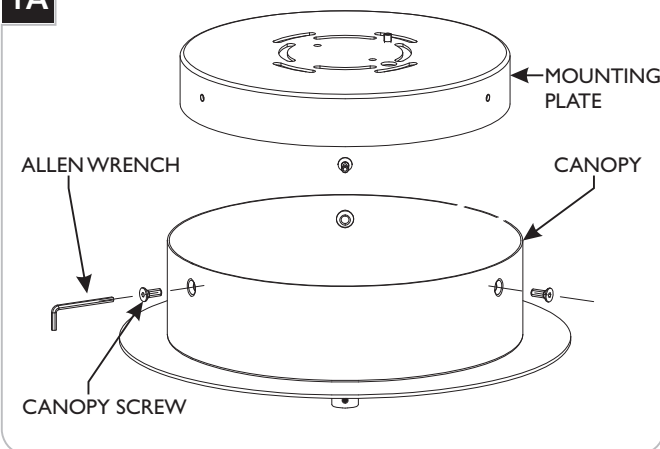
This product must be installed in accordance with the applicable installation code by a person familiar with the construction and operation of the product and the hazards involved.

Use minimum 90°C supply conductors.

SAVE THESE INSTRUCTIONS!

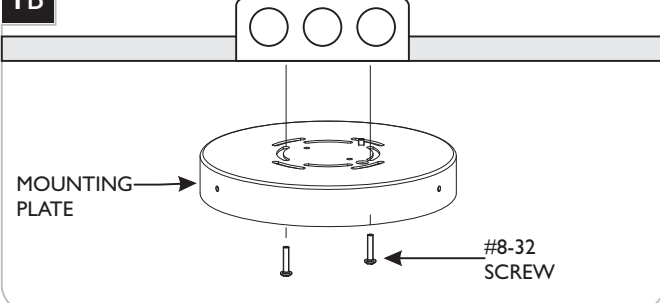
Prepare the Canopy

1A



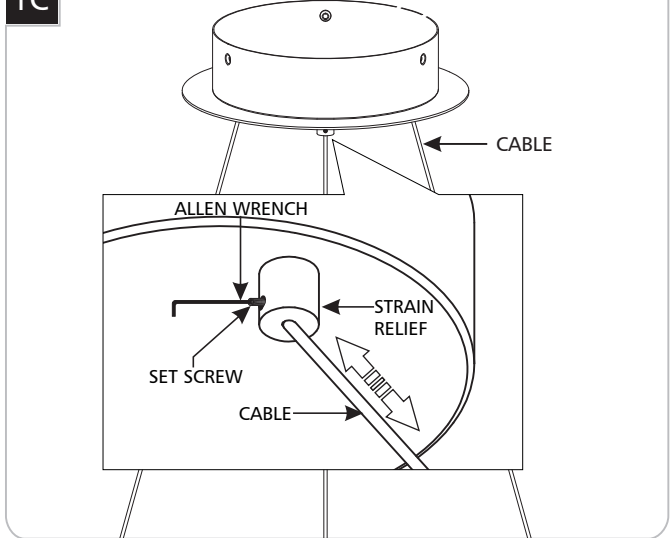
1 Remove all the canopy screws from the canopy using the provided Allen Wrench and remove the mounting plate.

1B



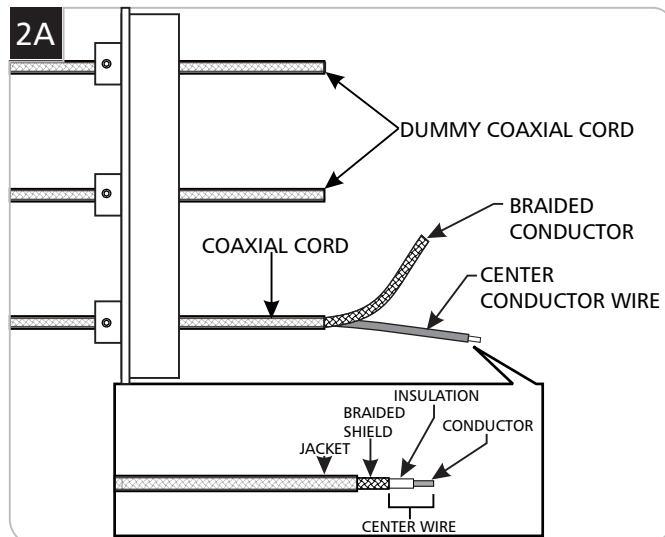
2 Install the mounting plate to the electrical box with the two provided #8-32 screws.

1C



- 3 Using the provided Allen wrench, loosen (**Do Not Remove**) the set screw on each strain relief.
- 4 Place the fixture on a level surface.
- 5 Evenly pull the three coaxial cables through the canopy until it reaches the length desired.
- 6 Ensure that the canopy is level and re-tighten the set screws on the strain reliefs.

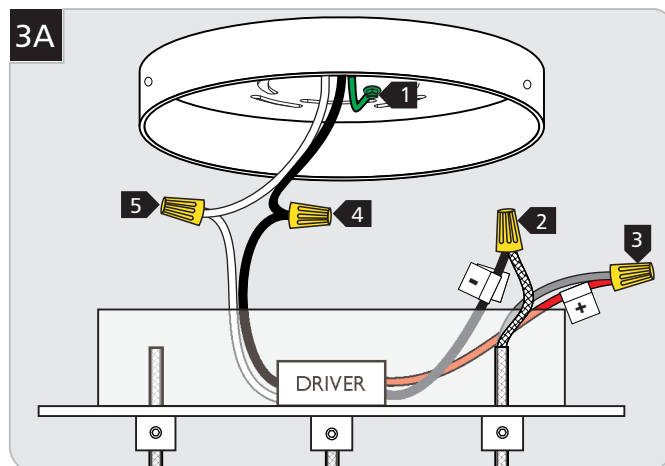
Shorten Cords (Optional)



NOTE: If shortening is necessary, ensure that the cable identifiers are not removed during installation. If no shortening is necessary, skip to section 3A.

- 1 Leave 6" behind for wire connections, cut off the excess cord. NOTE: This fixture contains two dummy coaxial cords.
- 2 From the end of the cord, strip the jacket and braided shield 4" using a sharp knife. Make sure not to nick the center conductor wire.
- 3 Strip the end of the center conductor wire.

Wire the Fixture

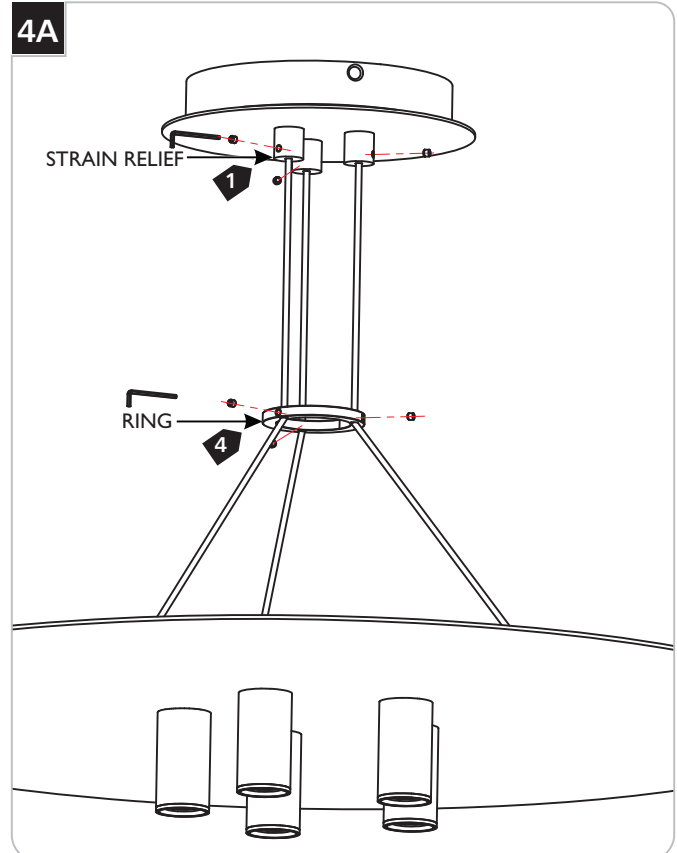


- 1 Connect the fixture ground wire to a suitable ground in accordance with local electrical codes.
- 2 Connect the braided conductor wire to the black driver wire labeled "-" (negative) with a wire nut. NOTE: Ensure that the braided shield is being connected, not the center conductor wire.
- 3 Connect the center conductor wire to the red driver wire labeled "+" (positive) with a wire nut. NOTE: Ensure that the center conductor wire is being connected, not the braided coaxial shield.
- 4 Connect the black input to the hot power line wire with a wire nut.
- 5 Connect the white input to the neutral power line.
- 6 Neatly place all wires and wire nut connections inside the canopy, align the canopy holes with the mounting plate holes, and secure the canopy in place by tightening the Allen screws using the provided Allen Wrench (reversal of step 1A). Note: driver must be installed into the junction box for 277V version.

Additional Leveling (optional)

NOTE: If necessary, minor leveling adjustments to the fixture may be needed. It is recommended that one person hold the fixture straight with the use of a level while the other adjusts the coaxial cable.

CAUTION: Only pull out extra cable for leveling if enough cord was left behind the canopy. Minimal amounts of cord should be pulled out for fine leveling.



CAUTION: Make sure to support the fixture if fine leveling is necessary.

- 1 Loosen (do not remove) the set screws on the canopy strain relief on the side which needs adjusting.
- 2 Evenly and gently pull out the coaxial cable, in very small increments, through the strain relief to adjust whichever side to level the fixture.
- 3 Ensure that the fixture is level and re-tighten the set screw on the strain relief.
- 4 To adjust the ring to the desired look, loosen (do not remove) the set screws and slide the ring up or down, then re-tighten the set screws.

 **TECH LIGHTING**

7400 Linder Ave., Skokie, IL 60077
T 847.410.4400 | F 847.410.4500
www.techlighting.com