

# Pitch Wall

700WSPIT\_ 1.1



## WALL COLLECTION

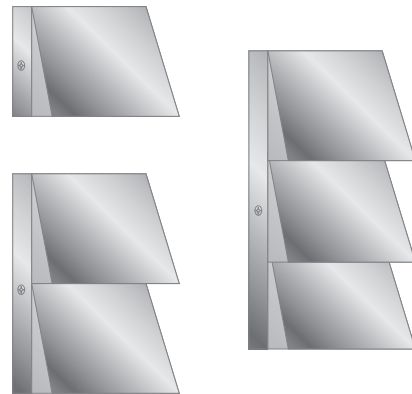
### GENERAL PRODUCT INFORMATION:

These fixtures are intended to be installed utilizing NEC compliant junction boxes.



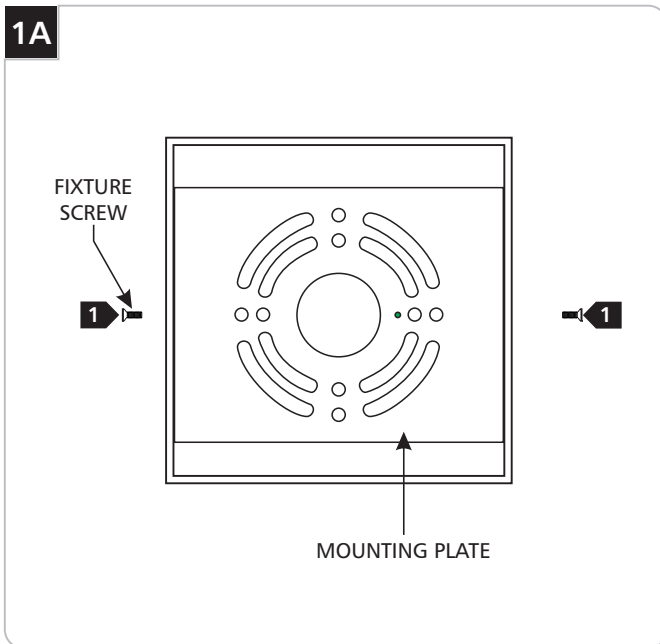
This product is suitable for wet locations when **mounted as a downlight**. This product is suitable for damp locations when **mounted as an uplight**.

This product may be dimmed with a low-voltage electronic dimmer.

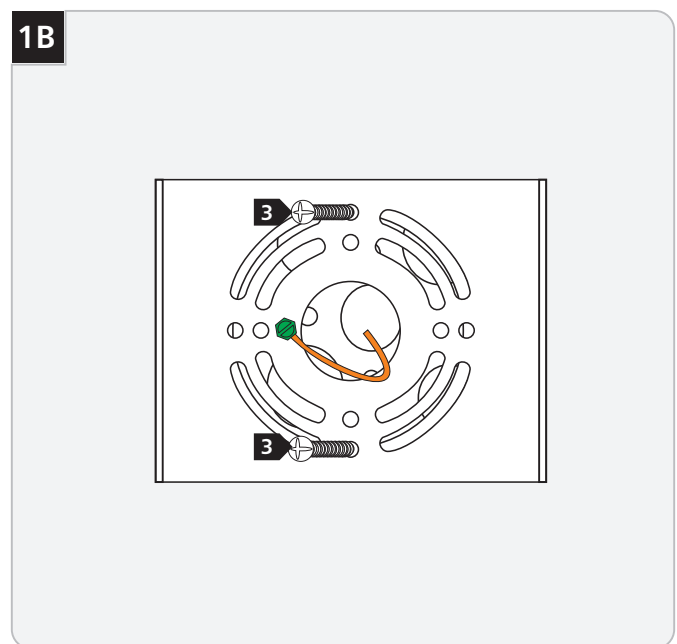


**CAUTION - RISK OF FIRE**  
 This product must be installed in accordance with the applicable installation code by a person familiar with the construction and operation of the product and the hazards involved.  
 Use minimum 90°C supply conductors.

## Install the Fixture

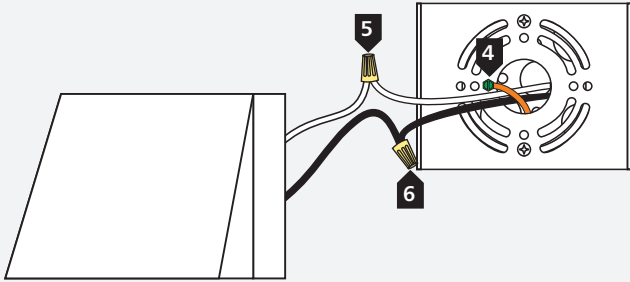


- 1** Remove the two fixture screws from the sides of the fixture.
- 2** Remove the mounting plate from the back of the fixture.



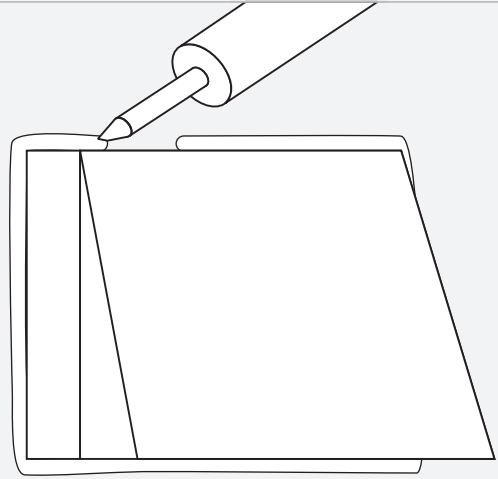
- 3** Attach the mounting plate to the electrical box using the two provided #8-32 screws.

1C



- 4 Connect the ground wire to a suitable ground in accordance with local electrical codes.
- 5 Connect the white driver wire to the neutral power line with a wire nut.
- 6 Connect the black driver wire to the hot power line with a wire nut.
- 7 Properly place the driver, all wires, and wire nut connections into the backplate and secure the fixture to the mounting plate by reinstalling the two fixture screws (reversal of step 1A).

1D



**NOTE:** This product is only suitable for wet locations when mounted as a downlight.

- 8 For wet locations, caulk around the base with waterproof construction sealant.

**SAVE THESE INSTRUCTIONS!**

 **TECH LIGHTING®**

7400 Linder Ave, Skokie, IL 60077

847.410.4400

**[www.techlighting.com](http://www.techlighting.com)**

© 2019 Tech Lighting, L.L.C. All rights reserved.

Visual Comfort Group